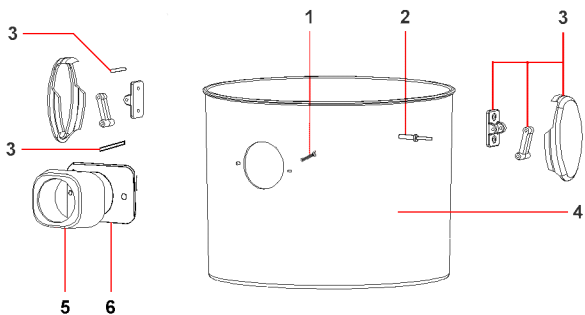
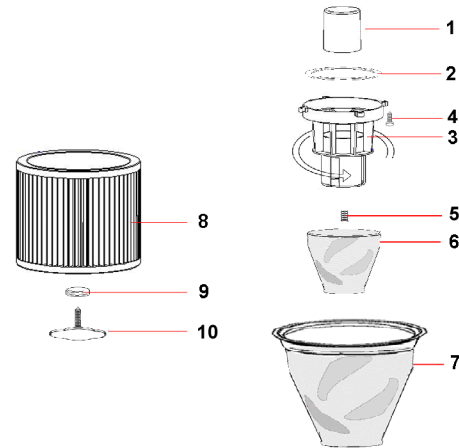


HEAD			
POS.	COD.	DESCRIPTION	Q.TY
1	CVVA520ZN	Self Tipping Screw 5x20 ZN	4
2	CEIN016RB4	Red Light Switch 2P	1
3	CGLO5931	Trademark ELSEA f.to 59x31,5	1
4	CPMA260	Ares Handle Ø260	1
5	CVVA525ZN	Self Tipping Screw 5x25 TC ZN	4
6	CVVA525ZN	Self Tipping Screw 5x25 TC ZN	2
7	CPFC001	Cablefix	1
8	CEMO001A	Complete Terminal board 2poles	1
9	CPCO335	Ares cover Ø335	1
10	CECC350N/R	Black Connection Cable L350mm with 2R 422kohm	
11	CCGU110	Foam Filter H10mm - Ø110mm	1
12	CVVA525ZN	Self Tipping Screw 5x25 TC ZN	6
13	CPCM345	Motor Cover Ø345mm	1
14	CECE021/I	Electric cable H05 2x1mm ² L=1,0mt	1
15	CGFI088/65	Sealed Filter MTP65/AU H=88 D.160-120	1
16	CVVA525ZN	Self Tipping Screw 5x25 TC ZN	6
17	CPFM336	Motor Holder Ø336mm	1
18	/		
19	CPDA020	Motor plastic spacer ring H=20	1
20	CGGU005L	"L" Gasket s/f H=5mm	1
21	MO12382BP	Motor Double Stage by-pass 1200/1400W-PC38	1
22	CGGU003P	Plane Gasket H=3mm	1
23	CGFI020/65F	Washer MTP/65 Ø230x145x20 + 16F	1
24	CPBM346BC	Double Stage Motor Base Ø436	1
25	CGGU339	Head/Tank Gasket SBR Ø339x280x3	1
26	CVVM516TC	Metric screw M5x16	1
27	CEPS346A	Plate of ground	1

FILTER SET WET DRY			
POS.	COD.	DESCRIPTION	Q.TY
1	CPGA080	Float Ø80	1
2	CGRO160	Mousse Washer Ø160 (OPTIONAL, Cartridge Filter)	1
3	CPPG168	Float Supporting Ø168	1
4	CVVA516ZNF	Self Tipping Screw 5x16 FLL	4
5	CVIF810	Threaded insert M8 Ø10 (OPTIONAL)	1
6	ACCA165A	Anti-foam/liquids cover	1
7	FA034PP	Polyester Little Filter with Ring Ø34 (OPTIONAL)	1
8	FI175140P	Cartridge filter Polyestere Ø175 H140 (OPTIONAL)	1
9	CGGU1572	Gasket NBR 15x7,8x2 mm (OPTIONAL)	1
10	CVGA820	Cartridge wingnut M8x20 (OPTIONAL)	1



STAINLESS STEEL TANK			
POS.	COD.	DESCRIPTION	Q.TY
1	CVVA525ZN	Self Tipping Screw 5x25 TC ZN	2
2	CVRI517	Rivet 4,8x17	4
3	CPGS113/C	Complete Spring Hook	2
4	CMFU285	Stainless Steel Tank H=285	1
5	CPBO045	Inlet Ø45	1
6	CGGU045	Gasket inlet Ø45	1