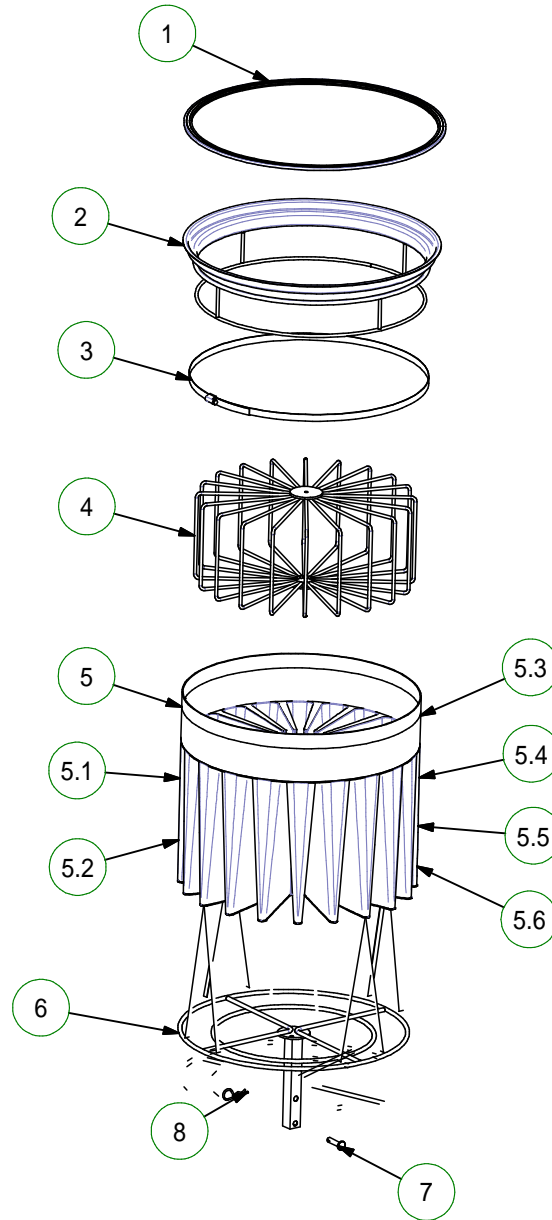
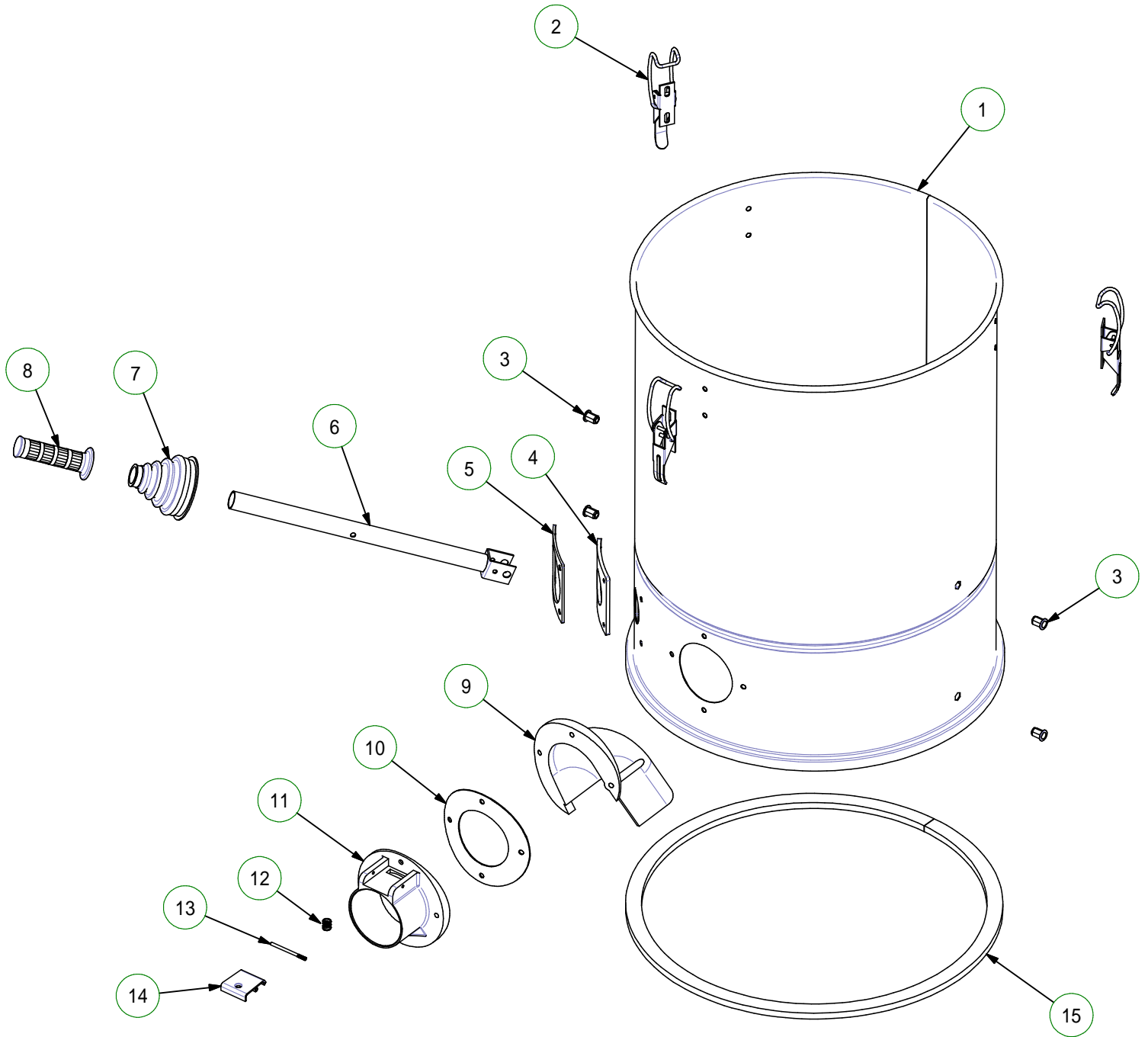


Part List / Elenco parti

POS.	QTY	CODE	DESCRIPTION	DESCRIZIONE
1	1	KT.0794.7011	DG50EXP SE RESTYLING MACHINE BODY KIT	KIT CORPO MACCHINA DG50EXP SE RESTYLING
2	1	KT.0059.0020	FI.0042.0000 FILTER KIT (GALVANIZED)	KIT FILTRO FI.0042.0000 ZB
3	1	KT.0509.7011	ST.0234.7011 CHAMBER KIT	KIT CAMERA ST.0234.7011
4	1	KT.0606.7011	ST.0235.7011 CONTAINER KIT	KIT CONTENITORE ST.0235.7011

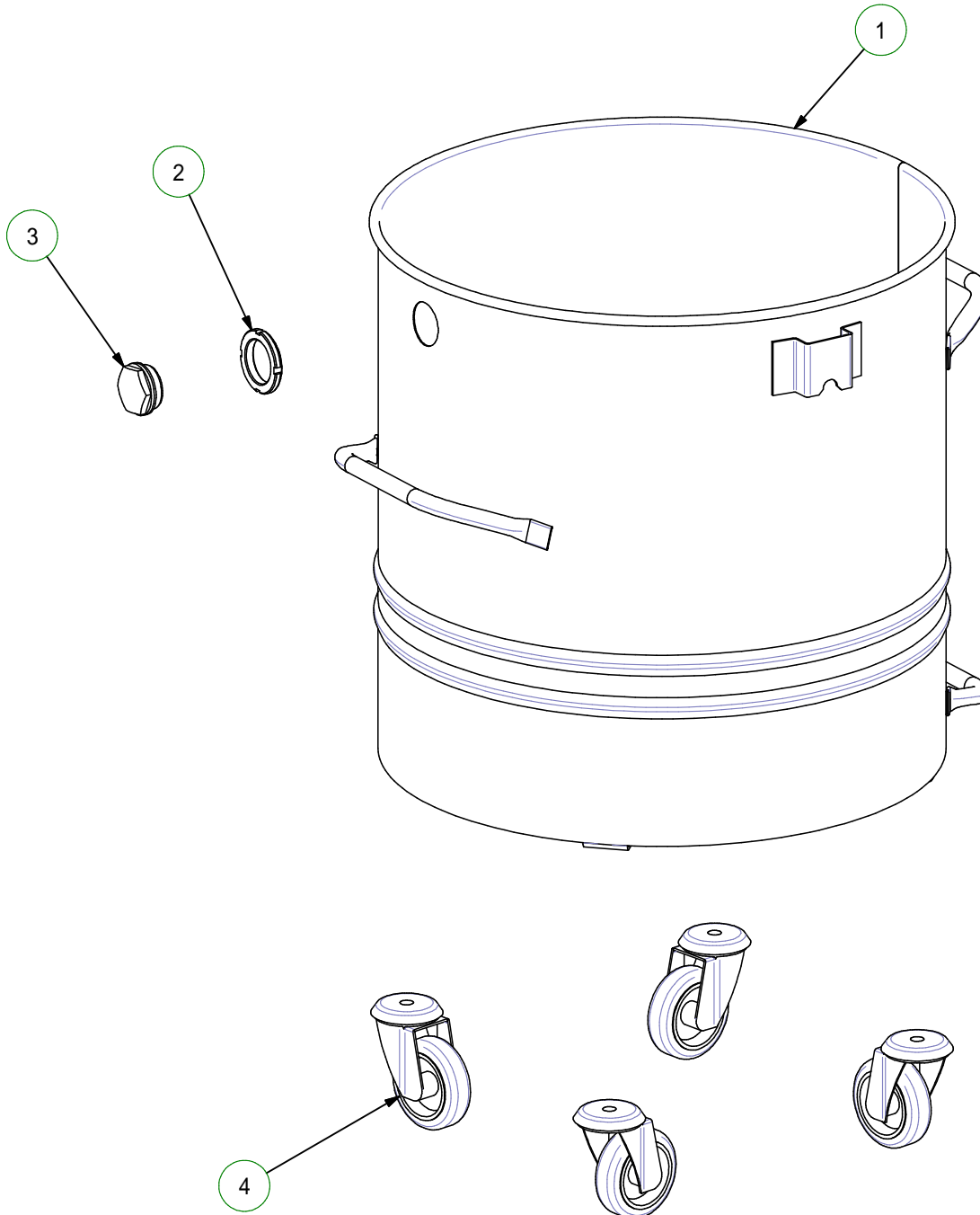


Part List / Elenco parti				
POS.	QTY	CODE	DESCRIPTION	DESCRIZIONE
1	1	GI.0003.0000	D. 500 FILTER GASKET	GUARN.REGGIFILTRO D500
2	1	SL.0475.0020	D. 500 H70 FILTER HOLDER RING (GALVANIZED)	ANELLO REGGIFILTRO D500 H70 ZINCATO
3	1	SL.0223.0000	14MM L1510 FILTER CLAMP	FASCETTA FERMAFILTRO 14MM L1510 PREMONTATA
4	1	SL.0834.0020	DG1/2/60 20 SPOKES FILTER TIGHTENER CAGE (GALVANIZED)	GABBIA TENDIF. 20R DG1/2/60 ZINCATA
5	1	FI.0042.0000	D. 500 H400 20 POCKETS "G" POLYESTER FILTER	FILTRO POL.G D500 H400 20T
5.1	1	FI.0061.0000	D. 500 H400 20 POCKETS "C" POLYESTER FILTER (FOR KT.0063.0020 FILTER KIT)	FILTRO POL.C D500 H400 20T (PER KIT FILTRO KT.0063.0020)
5.2	1	FI.0063.0000	D. 500 H400 20 POCKETS ANTISTATIC "C" POLYESTER FILTER (FOR KT.0065.0020 FILTER KIT)	FILTRO POL.C ANT D500 H400 20T (PER KIT FILTRO KT.0065.0020)
5.3	1	FI.0062.0000	D. 500 H400 20 POCKETS PTFE POLYESTER FILTER (FOR KT.0064.0020 FILTER KIT)	FILTRO POL.PTFE D500 H400 20T (PER KIT FILTRO KT.0064.0020)
5.4	1	FI.0048.0000	D. 500 H400 20 POCKETS NOMEX POLYESTER FILTER (FOR KT.0062.0020 FILTER KIT)	FILTRO POL.NOMEX D500 H400 20T (PER KIT FILTRO KT.0062.0020)
5.5	1	FI.0045.0000	D. 500 H400 20 POCKETS ANTISTATIC "G" POLYESTER FILTER (FOR KT.0061.0020 FILTER KIT)	FILTRO POL.G ANT D500 H400 20T (PER KIT FILTRO KT.0061.0020)
5.6	1	FI.0043.0000	D. 500 H400 20 POCKETS TEFLON "G" POLYESTER FILTER (FOR KT.0060.0020 FILTER KIT)	FILTRO POL.G TEF D500 H400 20T (PER KIT FILTRO KT.0060.0020)
6	1	SL.0427.0020	H195 14 SPOKES FILTER SHAKER CAGE (GALVANIZED)	GABBIA SCUOTIFILTRO H=195 14R. ZINCATA
8	1	SL.0440.0000	ZIG ZAG SPRING	MOLLA ZIG ZAG mm3
7	1	SL.0441.0020	GALVANIZED CAGE LOCK PIN	PERNO AGGANCIAMENTO GABBIA ZINCATO



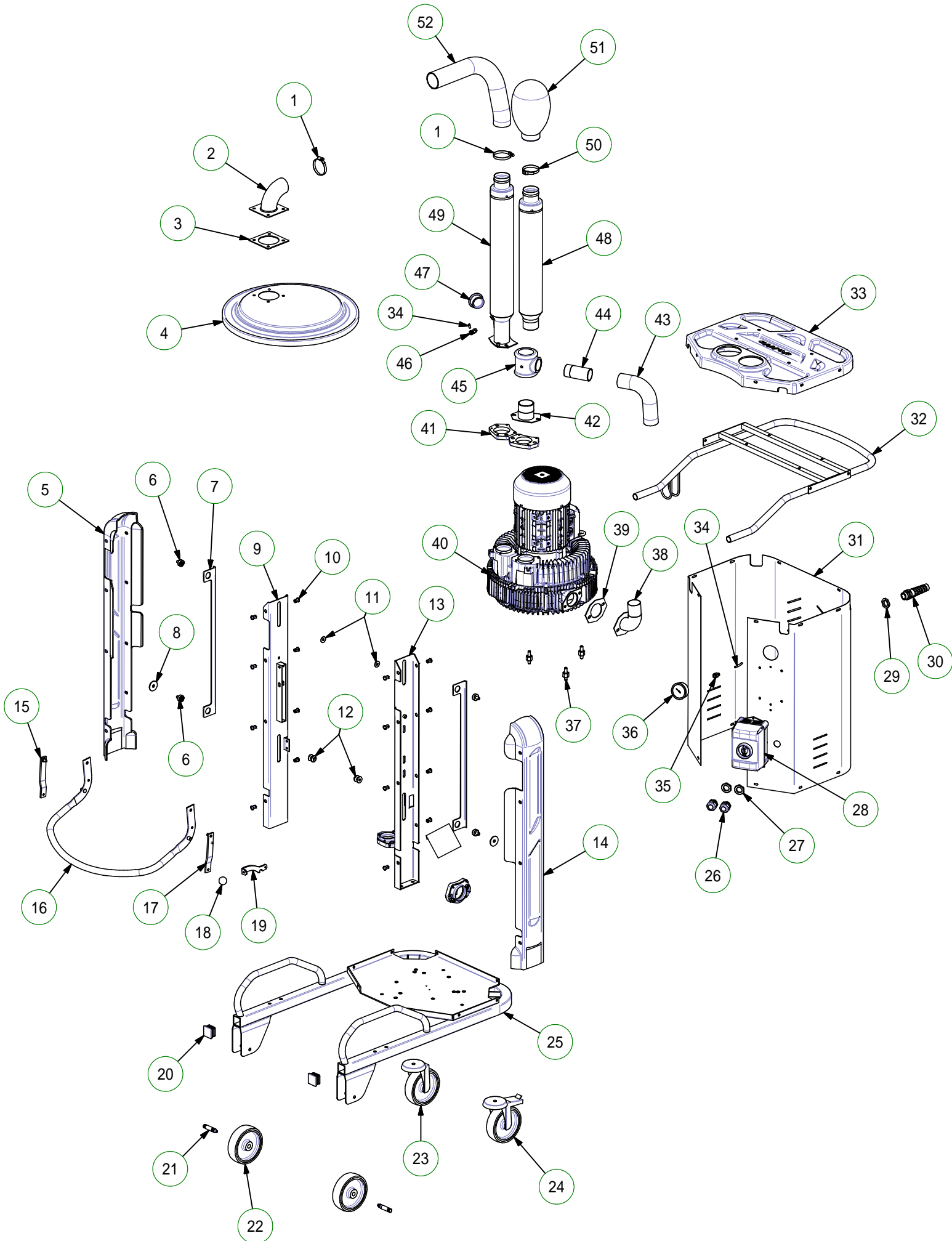
Part List / Elenco parti

POS.	QTY	CODE	DESCRIPTION	DESCRIZIONE
1	1	ST.0234.7011	D500 H650 FILTER CHAMBER EXP/DM3/ZFR REST.	CAMERA FILTR. D500 H650 EXP/DM3/ZFR REST.
2	3	SL.0216.0000	LATCH TOGGLE CLAMP	CHIUSURA A GANCIO PLASTIFICATA
3	4	SL.1886.0000	M8 HEXAGONAL INSERT WITH LARGE FLANGE	INSERTO FILETTATO ESAGONALE M8 FLANGIA LARGA
4	1	GI.0270.0000	MOUSSE BR150 98X98 GASKET WITH Ø50 HOLE	GUARN. FLANG. SCUOTIF. MOUSSE BR150 98X98 FORO Ø50
5	1	SL.0239.7011	FILTER SHAKER FLANGE	FLANGIA SCUOTIFILTRO
6	1	SL.0238.0020	GALVANIZED FILTER SHAKER LEVER	LEVA SCUOTIFILTRO ZINCATA
7	1	SL.0240.0000	FILTER SHAKER LEVER BELLOWS	SOFFIETTO LEVA SCUOTIFILTRO
8	1	SL.0217.0000	FILTER SHAKER LEVER KNOB	MANOPOLA LEVA SCUOTIFILTRO
9	1	SL.0400.0000	DIE-CAST DEFLECTOR	DEFLETTORE PRESSOFUSO
10	1	GI.0040.0000	D. 80 DIE-CAST INLET GASKET	GUARN.BOCCHETTONE PRESSOFUSO D80
11	1	SL.0399.0000	D. 80 DIE-CAST INLET	BOCCHETTONE D80 PRESSOFUSO
12	1	SL.0402.0000	PAWL SPRING	MOLLA SALTARELLO
13	1	SL.0401.0020	DIE CAST INLET PAWL PIN	SPINA BOCCH. PRESSOFUSO
14	1	SL.0403.0020	DIE CAST INLET PAWL	SALTARELLO BOCCHETTONE PRESSOF
15	1,6 m	GI.0140.0000	10X22 ADHESIVE GASKET	GUARN.GOMMA SPUGNA GRIGIA ADES. 10x22



Part List / Elenco parti

POS.	QTY	CODE	DESCRIPTION	DESCRIZIONE
1	1	ST.0235.7011	D500 H500 EXP/DM3/ZFR RESTYLING CONTAINER	CONTENITORE D500 H500 EXP/DM3/ZFR REST
2	1	SL.0509.0000	40X1.5 ZB (KM008) LOCK NUT	GHIERA BLOCCAGGIO KM008 40X1.5 ZB
3	1	SL.0245.0000	LEVEL INDICATOR	INDICATORE DI LIVELLO
4	4	RT.0001.0000	D. 80 CASTOR	RUOTA D80 PIV.



Part List / Elenco parti				
POS.	QTY	CODE	DESCRIPTION	DESCRIZIONE
1	2	SL.0925.0000	D. 50/70 CLAMP	FASCETTA STRINGITUBO 9MM 50-70
2	1	SL.0530.7011	D. 60 BENT INLET WITH SQUARE FLANGE	BOCCHETTONE CURVO D60 FLANGIA QUADRA
3	1	GI.0030.0000	D. 80 INLET GASKET	GUARN.BOCCHETTONE CURVO D80
4	1	CT.0122.7011	D525 EXP/DG COVER	COPERCHIO D525 EXP/DG
5	1	SL.1472.0000	EXP RESTYLING RIGHT ABS COVER PLATE	COPERTURA LATERALE DX ABS EXP RESTYLING
6	4	SL.0229.0020	GALVANIZED LEVER SYSTEM PAWL	NOTTOLINO LEVERAGGIO PICCOLO (MASTER) ZINCATO
7	2	SL.1488.0020	GALVANIZED ROD FOR EXP/DM3/ZFR RESTYLING LEVER SYSTEM	ASTA DI RINVIO LEVERAGGIO EXP/DM3/ZFR REST. ZINCATA
8	2	MC.0154.0021	GALVANIZED PLAIN WASHER WITH EXTERNAL WIDE DIAMETER	RONDELLA GREMB ZINC DIN 9021 10X40
9	1	SL.1478.7011	EXP/DM3/ZFR RESTYLING RIGHT COLUMN	MONTANTE DX EXP/DM3/ZFR RESTYLING
10	16	SL.1886.0000	M8 HEXAGONAL INSERT WITH LARGE FLANGE	INSERTO FILETTATO ESAGONALE M8 FLANGIA LARGA
11	2	SL.1487.0000	DIN9021 8X24 NYLON WASHER	RONDELLA NYLON 8X24 DIN9021
12	2	SL.0368.0020	GALVANIZED FASTENING LEVER FULCRUM	FULCRO LEVA AGGANCIO ZINCATO
13	1	SL.1477.7011	EXP/DM3/ZFR RESTYLING LEFT COLUMN	MONTANTE SX EXP/DM3/ZFR RESTYLING
14	1	SL.1471.0000	EXP RESTYLING LEFT ABS COVER PLATE	COPERTURA LATERALE SX ABS EXP RESTYLING
15	1	SL.1484.0020	RIGHT BRACKET FOR EXP/DM3/ZFR RESTYLING LEVER SYSTEM	STAFFA DX PER LEVERAGGIO EXP/DM3/ZFR REST.
16	1	SL.1483.7016	HANDLE FOR EXP/DM3/ZFR RESTYLING LEVER SYSTEM	MANICO LEVERAGGIO EXP/DM3/ZFR RESTYLING
17	1	SL.1485.0020	LEFT BRACKET FOR EXP/DM3/ZFR RESTYLING LEVER SYSTEM	STAFFA SX PER LEVERAGGIO EXP/DM3/ZFR REST.
18	1	SL.1489.0000	D30 M6 ROUND KNOB	POMOLO SFERA D30 M6 F
19	1	SL.1486.0020	SAFETY LOCK FOR EXP/DM3/ZFR RESTYLING LEVER SYSTEM	SAFETY LOCK LEVERAGGIO EXP/DM3/ZFR REST.
20	2	SL.0272.0000	40X40 SQUARE HEAD COVER	COPRITESTA QUADRO 40x40
21	2	RT.0011.0000	RT.0011.0000 WHEEL AXLE KIT	KIT ASSALE RUOTA RT.0011.0000
22	2	RT.0020.0000	D. 150 PU WHEEL	RUOTA D150 PU
23	1	RT.0044.0000	D. 150 PU CASTOR (WITH HOLE)	RUOTA D150 PU PIV.F/PASS
24	1	RT.0045.0000	D. 150 PU CASTOR WITH BRAKE (WITH HOLE)	RUOTA D150 PU PIV.F/PASS C/FR
25	1	ST.0233.7011	EXPORT RESTYLING TROLLEY	CARRELLO EXP RESTYLING
26	2	EP.0180.0000	M25X1,5 D.9/16 CABLE FASTENER	PRESSACAVO M25X1,5 D.9/16
27	2	EP.0181.0000	M25x1,5 POLYAMIDE NUT	DADO POLIAMMIDE M25x1,5
28	1	QE.0068.0000	DG50EXP/DG70EXP ELECTRIC SWITCHBOARD	QUADRO ELETTRICO ABB DG50EXP/DG70EXP
29	1	EP.0177.0000	PG 21 BLACK POLYAMIDE NUT	DADO POLIAMMIDE PG 21 NERO
30	1	EP.0182.0000	PG21 D.9/16 CABLE FASTENER	PRESSACAVO SPIR. PG 21 D.9/16
31	1	SL.1479.7011	EXP RESTYLING BACK COVER PLATE	COPERTURA POSTERIORE EXP RESTYLING
32	1	SL.1480.7016	EXP RESTYLING BACK PUSH HANDLE	MANICO DI SPINTA POSTERIORE EXP RESTYLING
33	1	SL.1475.0000	EXP RESTYLING UPPER ABS COVER PLATE	COPERTURA SUPERIORE ABS EXP REST.
34	0,8 m	EP.0187.0000	4X6 RILSAN PIPE	TUBO NYLON RILSAN 4X6 NEUTRO
35	1	EP.0183.0000	G1/4 F D6 STRAIGHT PUSH-IN FITTING	RACCORDO RAPIDO DRITTO G1/4F - D6
36	1	EP.0096.0000	D.63 -6000 -0 mm H2O VACUUM GAUGE	VUOTOMETRO D.63 -6000 -0 mm H2O
37	3	SL.0471.0020	GALVANIZED ZFR101 HEAD M/M 10MA SPACER	DISTANZIALE M/M 10MA TESTATA ZFR101 BASC. ZINCATO
38	1	SL.2697.7016	DG50EXPSE Ø50 BENT CONNECTION WITH OCTAGONAL FLANGE	RACCORDO CURVO Ø50 FL.OTT DG50EXPSE
39	1	GI.0015.0000	OCTAGONAL FLANGE GASKET	GUARNIZIONE FLANGIA OTTAGONALE
40	1	GA.0213.0000	DLFC KW4,3 V230/400/50/60 IP55 SUCTION UNIT	G.A.DLFC KW4,3 V230/400/50/60 IP55
41	2	GI.0120.0000	H20 NSH PLT GASKET	GUARN.PLT H=20mm NSH
42	1	SL.2698.7016	DG50EXPSE 2" CONNECTION	FLANGIA ES CIECA C/TRONCONE 2" DG50EXPSE
43	0,4 m	TA.0042.0000	D. 50 POLYURETHANE HOSE	TUBO POLIURETANO D50
44	1	SL.0847.0020	1"1/2 GALVANIZED THREADED CONE SECTION	TRONCONE FILETTATO 1"1/2 ZINCATO
45	1	SL.1715.0000	T 2"-1" 1/2-2" F-F-F CONNECTION	RACCORDO T 2"-1" 1/2-2" F-F-F (RID. AL CENTRO)
46	1	EP.0122.0000	G1/8M - D6 SWIVEL ELBOW PUSH-IN FITTING	RACCORDO RAPIDO A GOMITO GIREV. G1/8 M - D6
47	1	SL.0935.0000	1" 1/2 CAP	TAPPO 1" 1/2
48	1	SL.1806.0021	D90 H535 ZIN. SILENCER PIPE THREAD 2 DG1/60 RSCH CPL	TUBO INS.D90 H535 FIL.2 DG1/60 RSCH CPL ZINCATO
49	1	SL.1807.0021	D90 H650 GALVANIZED SILENCER PIPE (TS EXP) W/VALVE	TUBO INS. D90 H650 PORTA VALV. (TS EXP) CPL ZINCATO
50	1	SL.0717.0000	NYLON DIFFUSER FILTER CLAMP	FASCETTA FILTRO DIFFUSORE
51	1	SL.0587.0000	NYLON DIFFUSOR FILTER	FILTRO DIFFUSORE NYLON
52	0,65 m	TA.0043.0000	D. 60 POLYURETHANE HOSE	TUBO POLIURETANO D60