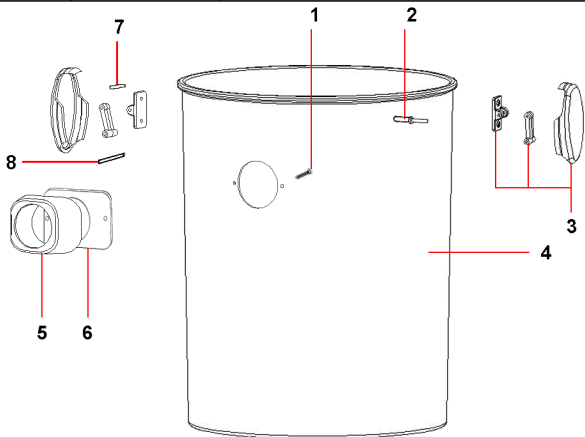
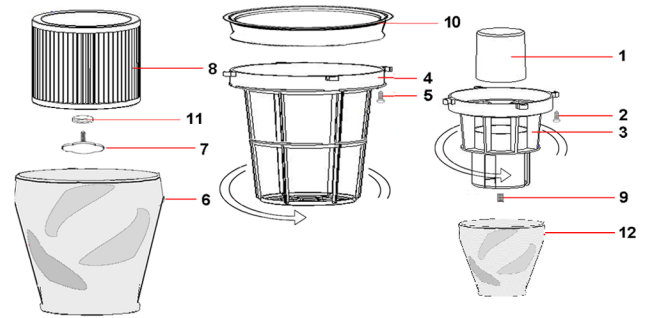


HEAD			
POS.	COD.	DESCRIPTION	Q.TY
1	CVVA520ZN	Self Tipping Screw 5x20 ZN	4
2	CEIN016R/C	Red Light Switch 2P with protection	3
3	CGLO5931	Trademark ELSEA f.to 59x31,5	1
4	CGPA110	Fairlead	1
5	CPMA260F3	Handle Exel/Verso 3 Hole Ø260	1
6	CVVA525ZN	Self Tipping Screw 5x25 TC ZN	2
7	CPF001	Cablefix	1
8	CVVA540ZN	Self Tipping Screw 5x40 TC ZN	1
9	CEKM003/3	Kit Terminal board 3Poles 3xL300mm Ø2,5mm*2 C+R	1
10	CVVA525ZN	Self Tipping Screw 5x25 TC ZN	4
11	CECC340N/R	Connection cable with terminal and 2xR	1
12	CPCO441	Cover Ø441 Exel/Verso	1
13	CECE215/8,5	Electric cable H05 2x1,5 mm*2 L=8,5mt	1
14	/		
15	CVVA550ZN	Self Tipping Screw 5x50 TC ZN	6
16	/		
17	CPCM452	Motor Cover Ø 452	1
18	CGGU370	Filter MTP/30 AU D. 95x15 mm	1
19	CVVA2919ZB	Self Tipping Screw 2,9x19 TC ZB	1
20	CEKM004/3MOT	Terminal board 7poles 3motors	1
21	CVVA540ZN	Self Tipping Screw 5x40 TC ZN	9
22	CVVA540ZN	Self Tipping Screw 5x40 TC ZN	3
23	CPFM444	Motor Holder D. 444	1
24	CGR0008	Washer H=8 Ø85x65	3
25	CPDA020	Motor plastic spacer ring H=20	3
26	/		
27	CGGU005L	"L" Gasket s/f h=5	3
28	MO10302BP	Motor by-pass 2 stages P1100W - PC30	3
29	CPVA050	Automatic valve Ø50	3
30	CGTF145/50	Sound assorbent triangle	3
31	CGGU003P	Gasket s/f h=3	3
32	CVVA540ZN	Self Tipping Screw 5x40 TC ZN	3
33	CVVA2919ZB	Self Tipping Screw 2,9x19 TC ZB	1
34	CVVM520TC	Metric screw M5x20	1
35	CPBM452	Double Stage Motor Base D. 452	1
36	CEPS346	Plate of ground	1
37	CPCO328	Conveyor	1
38	CVVA516ZN	Self Tipping Screw 5x16 ZN	12
39	CGGU441	Head/Tank Gasket SBR Ø 441x395x3	1

FILTER SET WET/DRY			
POS.	COD.	DESCRIPTION	Q.TY
1	CPGA080	Float D. 80	1
2	CVVA512ZC	Self Tipping Screw 5x12 Fungo/FL ZC	4
3	CPPG168	Float Supporting D. 168	1
4	CPTF252	Filter Basket D. 252	1
5	CVVA512ZC	Self Tipping Screw 5x12 Fungo/FL ZC	6
6	FI044P	Polyester Filter Ø44	1
7	CVGA820	Cartridge wingnut M8x20 (OPTIONAL)	1
8	FI250178P	Cartridge filter Polyestere Ø175 H140 (OPTIONAL)	1
9	CVIF810	Threaded insert M8 Ø10 (OPTIONAL)	1
10	CPAF442	Filtration Ring Ø442	1
11	CGGU1572	Gasket NBR 15x7,8x2 mm (OPTIONAL)	1
12	ACCA165	Anti-foam cover	1



STAINLESS STEEL TANK			
POS.	COD.	DESCRIPTION	Q.TY
1	CVVA525ZN	Self Tipping Screw 5x25 TC ZN	2
2	CVRI515	Rivet 4,8x15	4
3	CPGS113	Spring Hook	2
4	CMFU580	Stainless Steel Tank H=580	1
5	CPBO045	Inlet	1
6	CGGU045	Gasket inlet Ø45	1
7	CMSP424	Hook Plug D.4 L=24 mm	2
8	CMSP450	Hook Plug D.4 L=50 mm	2

TROLLEY			
POS.	COD.	DESCRIPTION	Q.TY
1	CPCA545	Body Trolley Exel	1
2	CVVA516ZN	Self Tipping Screw 5x16 TC ZN	16
3	CPRU080	Wheel Ø80	4

