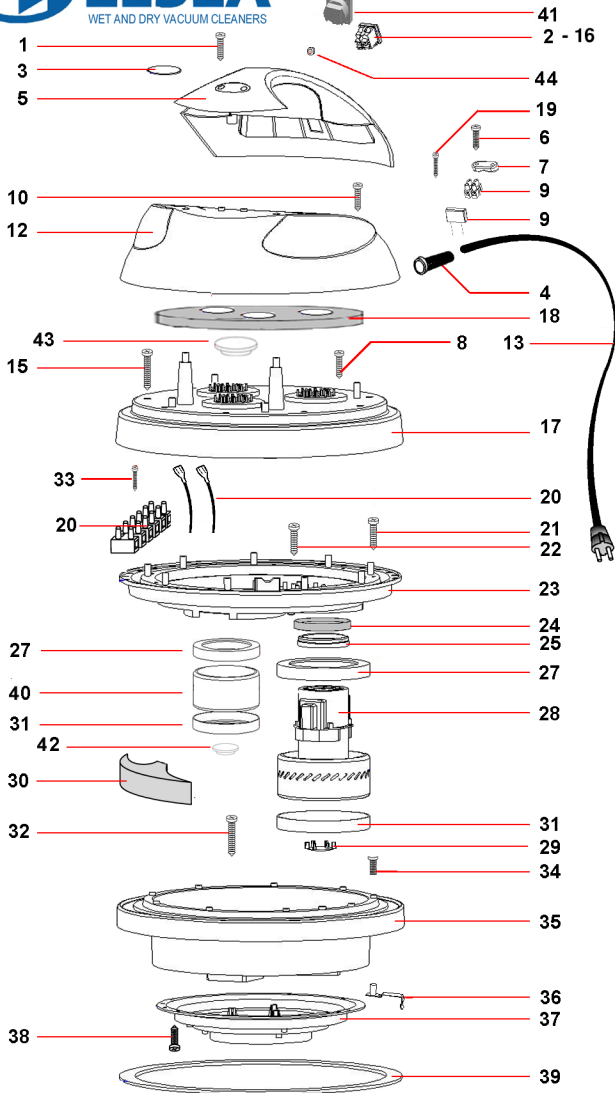
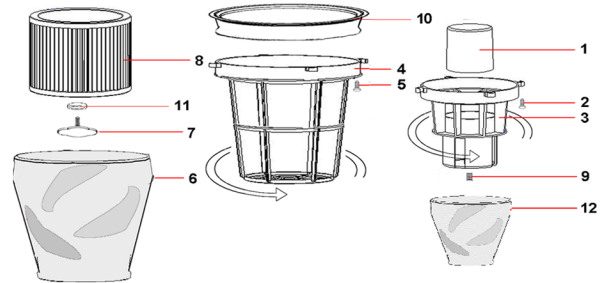


EJECT WI220

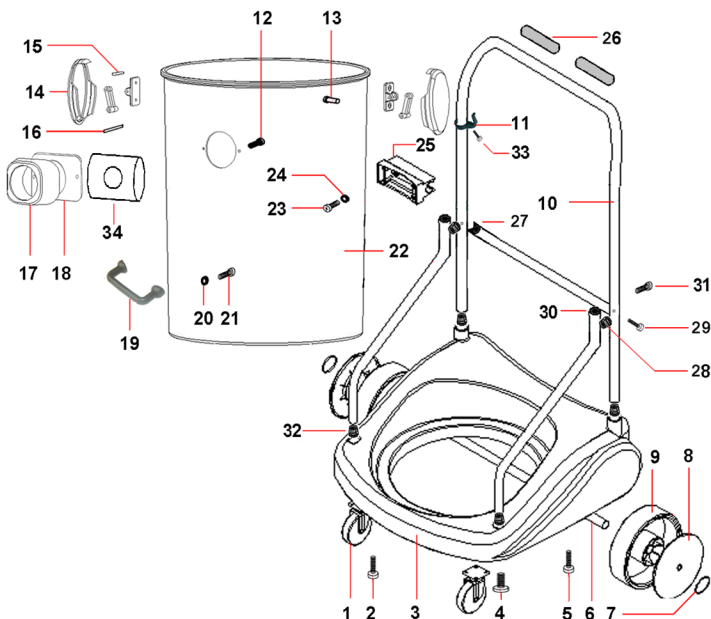


HEAD			
POS.	COD.	DESCRIPTION	Q.TY
1	CVVA520ZN	Self Tipping Screw 5x20 ZN	4
2	CEIN016R/C	Red Light Switch 2P with protection	2
3	CGLO5931	Trademark ELSEA f.to 59x31,5	1
4	CGPA110	Fairlead	1
5	CPMA260F3/S	Handle Elect 2Hole + Plug Hole Ø260	1
6	CVVA525ZN	Self Tipping Screw 5x25 TC ZN	2
7	CPFCD001	Cablefix	1
8	CVVA540ZN	Self Tipping Screw 5x40 TC ZN	1
9	CEKM003/B	Kit Terminal board 3Poles 3xL300mm Ø2,5mm² C+R	1
10	CVVA525ZN	Self Tipping Screw 5x25 TC ZN	4
11	/		
12	CPCO441	Cover Ø441 Exel/Verso	1
13	CECE315/8,5	Electric cable H05 3x1,5 mm² L=8,5mt	1
14	/		
15	CVVA550ZN	Self Tipping Screw 5x50 TC ZN	6
16	CEIN016V/C	Green Light Switch 2P with protection	1
17	CPCM452	Motor Cover Ø 452	1
18	CGGU370		2
19	CVVA2919ZB	Self Tipping Screw 2,9x19 TC ZB	1
20	CEKM004/2MOT	Terminal board 5 poles 2Motors	1
21	CVVA540ZN	Self Tipping Screw 5x40 TC ZN	9
22	CVVA540ZN	Self Tipping Screw 5x40 TC ZN	3
23	CPFM444	Motor Holder D. 444	1
24	CGR0008	Washer H=8 Ø85x65	2
25	CPDA020	Motor plastic spacer ring H=20	2
26	/		
27	CGGU005L	"L" Gasket s/f h=5	3
28	MO10302BP	Motor by-pass 2 stages P1100W - PC30	2
29	CPVA050	Automatic valve Ø50	2
30	CGTF145/50	Sound assorbent triangle	3
31	CGGU003P	Gasket s/f h=3	3
32	CVVA540ZN	Self Tipping Screw 5x40 TC ZN	3
33	CVVA2919ZB	Self Tipping Screw 2,9x19 TC ZB	1
34	CVVM520TC	Metric screw M5x20	1
35	CPBM452	Motor Base D. 452	1
36	CEPS346	Plate of ground	1
37	CPCO328	Conveyor	1
38	CVVA516ZN	Self Tipping Screw 5x16 ZN	12
39	CGGU441	Head/Tank Gasket SBR Ø 441x395x3	1
40	CPFM067	False motor Ø140 H=67mm	1
41	CEPS016C/CG	Schuko Socket with cover 16A/250V	1
42	CPST041	Polyethylene stopper Ø 41	1
43	CPST063	Polyethylene stopper Ø 63	1
44	CVVM416	Metric Screw 4x16 TC ZC	4

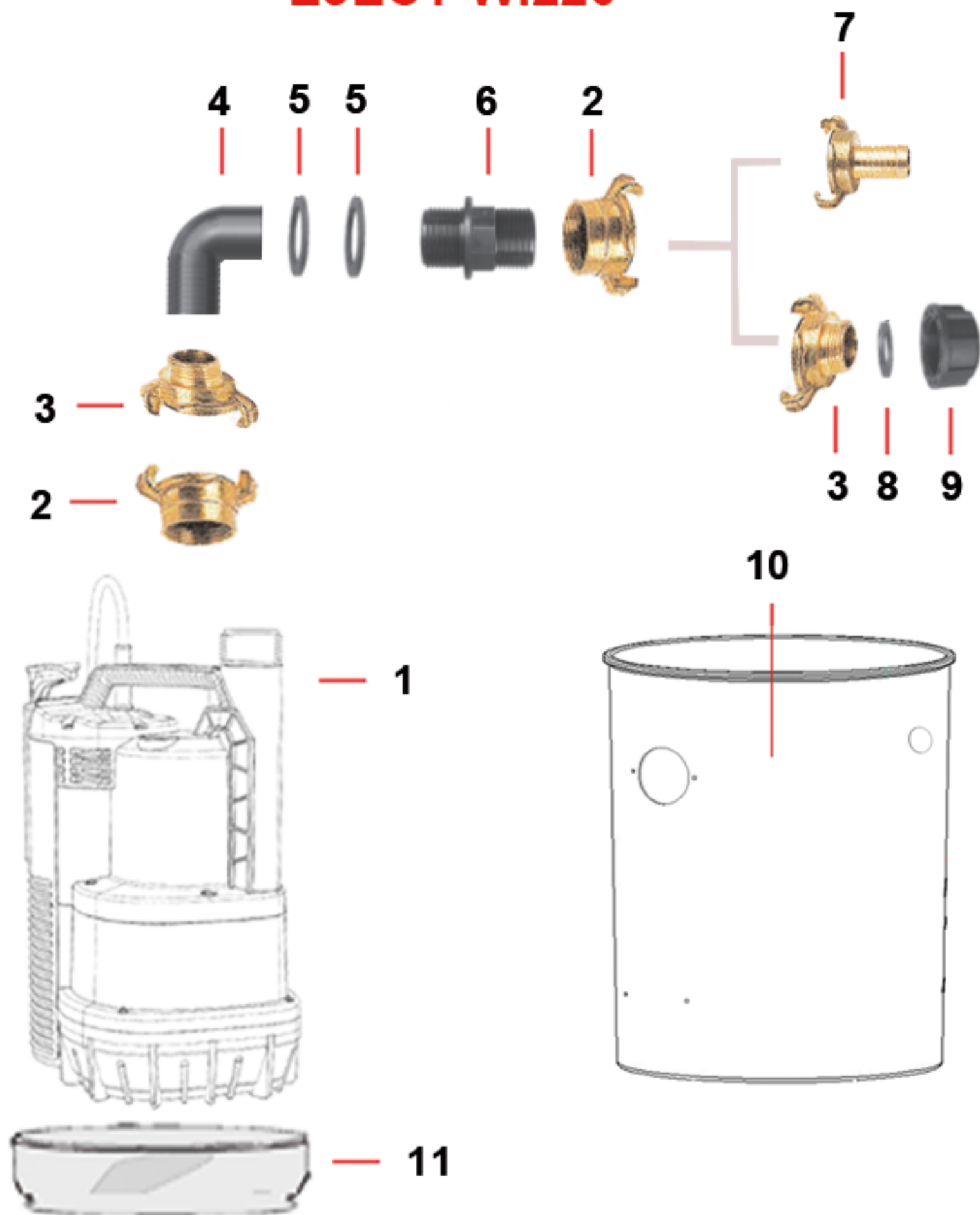
FILTER SET WET/DRY			
POS.	COD.	DESCRIPTION	Q.TY
1	CPGA080	Float D. 80	1
2	CVVA512ZC	Self Tipping Screw 5x12 Fungo/FL ZC	4
3	CPPG188	Float Supporting D. 188	1
4	CPTF252	Filter Basket D. 252 (OPTIONAL)	1
5	CVVA512ZC	Self Tipping Screw 5x12 Fungo/FL ZC (OPT.)	6
6	FI044P	Polyester Filter Ø44 (OPTIONAL)	1
7	CVGA820	Cartridge wingnut M8X20 (OPTIONAL)	1
8	FI250178P	Cartridge filter Polyestere Ø175 H140 (OPTIONAL)	1
9	CVIF810	Threaded insert M8 Ø10 (OPTIONAL)	1
10	CPAF442	Filtration Ring Ø442 (OPTIONAL)	1
11	CGGU1572	Gasket NBR 15x7,8x2 mm (OPTIONAL)	1
12	ACCA185	Anti-foam cover	1



STAINLESS STEEL TANK AND TROLLEY			
POS.	COD.	DESCRIPTION	Q.TY
1	CPRU080	Flangeted wheel with plate Ø60	2
2	CVVA516ZN	Self Tipping Screw 5x16 TC ZN	8
3	CPCA570B	Trolley	1
4	CVVM620Z	Metric screw M6x20 Zn	1
5	CVVA540ZN	Self Tipping Screw 5x40 TC ZN	2
6	CMTU020	Wheel stand Ø20	1
7	CMBL020	Block Ø20	2
8	CPBO200NE	Wheel knob black Ø200	2
9	CPRU200	Wheel Ø200	2
10	CMMAD25CR	Shackle Ø25	1
11	CPGA025	Cable wind hook	1
12	CVVA525ZN	Self Tipping Screw 5x25 TC ZN	2
13	CVR515	Rivet 4,8x15	4
14	CPGS113	Spring Hook	2
15	CMSP424	Hook Plug D.4 L=24 mm	2
16	CMSP450	Hook Plug D.4 L=50 mm	2
17	CPBO045	Inlet	1
18	CGGU045	Gasket inlet Ø45	1
19	CPMA120P/C	Bridge handle complete M120	1
20	CPSO013	Finishing washer Ø13	2
21	CVVA630ZB	Self Tipping Screw 6x30 TC ZB	2
22	CMFU580AIB/P	Inox Tank AISI 430 D.420 H.580	1
23	CVVA520ZN	Self Tipping Screw 5x20 TC ZN	4
24	CPSO010	Finishing washer Ø10	4
25	CPCR025	Tank rollo hinge Ø25	1
26	CPIM025	Plastic handle Ø25	2
27	CPCT025	Plastic radial connector Ø25	2
28	CPDI025	Spacer Ø25	2
29	CVVA650ZB	Self Tipping Screw 6x50 TC ZB	2
30	CPTT025	Hose stopper Ø25	2
31	CVVA545ZB	Self Tipping Screw 5x45 TC ZB	2
32	CPPF825	Threaded plastic point M8 ABS Ø25	2
33	CVVM412ZN	Metric screw M4x12 ZN	1
34	CGDA060	Anti-foam device Ø60	1



EJECT WI220



PUMP SET EJECT			
POS.	COD.	DESCRIPTION	Q.TY
1	CEPO300	Pump 300W 240 Volts 125l/m	1
2	CMRR001F	Quick Coupling Female 1	1
3	CMRR001M	Quick Coupling Male 1	1
4	CPGO001	PVC Elbow F1"-F1"	1
5	CGGU001	Gasket 1" - Drain Set/Pump Model	2
6	CPNI001	Plastic Nipple M1" - M1"	1
7	CMRB025	Quick Coupling M10 - PGØ25	1
8	CGGU030	Spacer Ø 30,7 - Stopper Drain Set	1
9	CPTA001F	Stopper F 1"-Drain Set	1
10	CMFU580AIB/P	Inox Tank AISI 430 D.420 H.580	1
11	ACCA165-9/P	Anti-foam pump-motor protection PP145 9mm	1