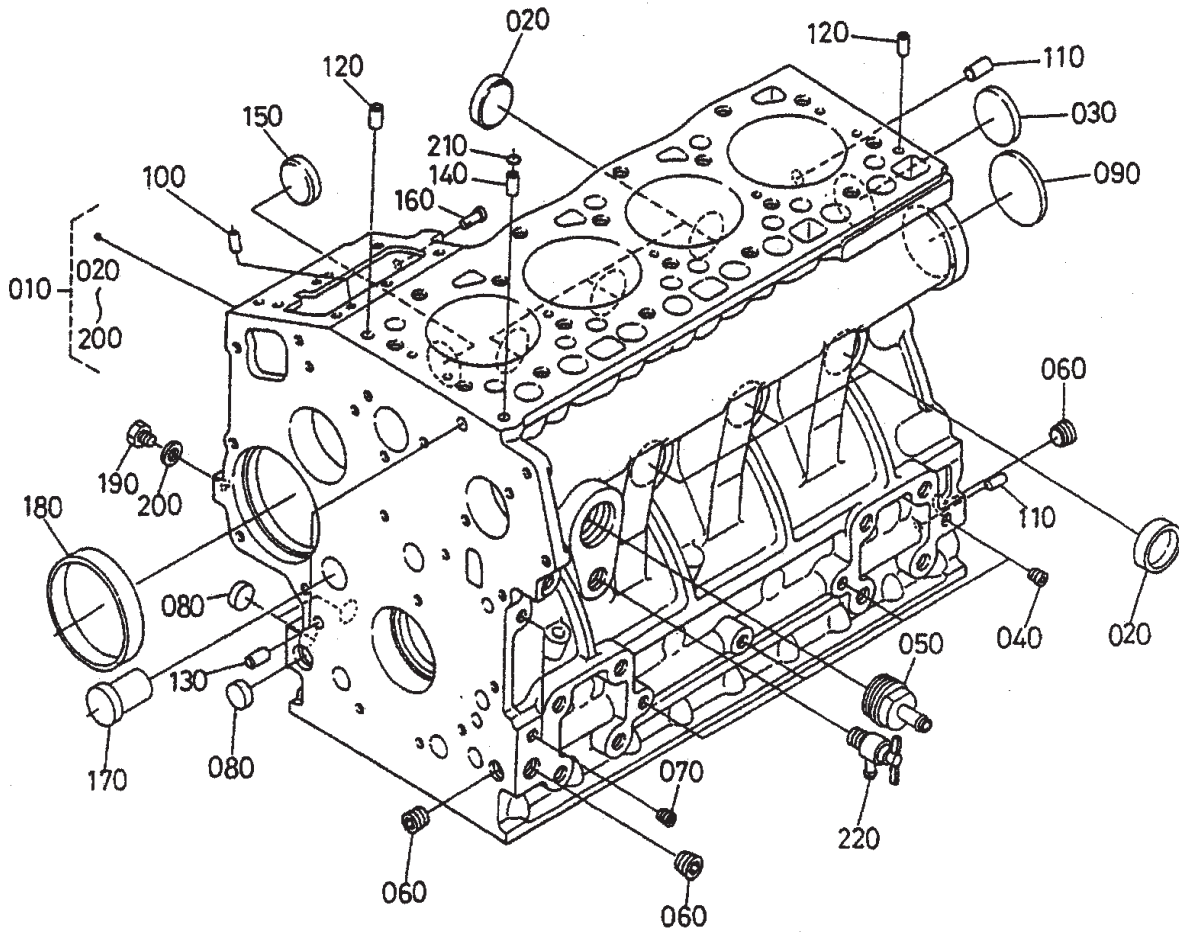


# KUBOTA V-1505 — CRANKCASE ASSY.

CRANKCASE ASSY.



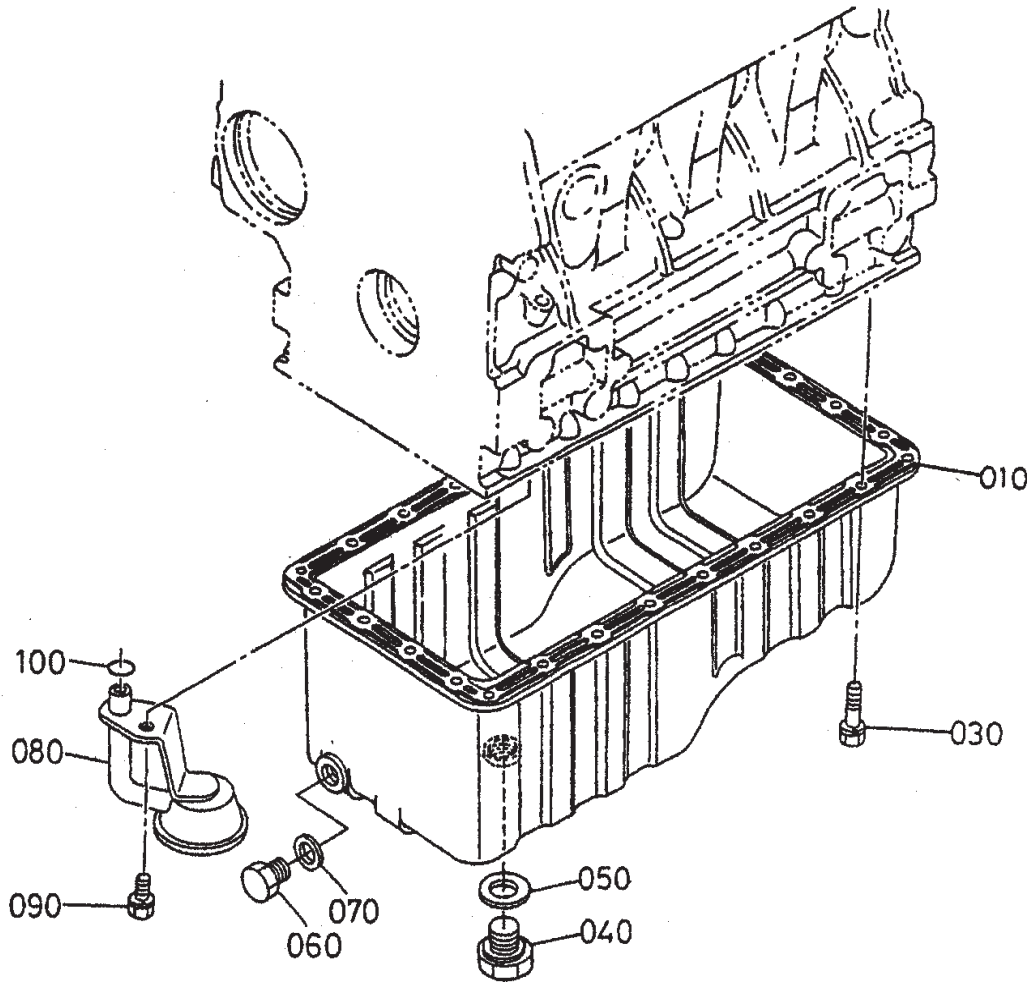
# KUBOTA V-1505 — CRANKCASE ASSY.

## CRANKCASE ASSY.

<u>NO.</u>	<u>PART NO.</u>	<u>PART NAME</u>	<u>QTY.</u>	<u>REMARKS</u>
010	1E03501010	COMP. CRANKCASE	1	
020	1545196270	CAP, SEALING	6	
030	1522103490	CAP, SEALING	1	
040	1526196010	PLUG	4	
050	1624173170	JOINT, DRAIN PIPE	1	
060	1624196010	PLUG	3	
070	1552196020	PLUG	2	
080	1739196160	PLUG, EXPANSION	3	
090	1627196160	PLUG, EXPANSION	1	
100	0501200508	PIN, STRAIGHT	2	
110	0501200814	PIN, STRAIGHT	2	
120	0501200610	PIN, STRAIGHT	2	
130	1523133960	PIN, PIPE	2	
140	1624133650	PIN, PIPE	1	
150	1624196262	PLUG, FUEL CAMSHAFT	1	
160	1522156280	PIN, START SPRING	1	
170	1628296010	PLUG	1	
180	1627155350	BUSH, GOVERNOR GEAR	1	
190	1522133610	PLUG	1	
200	1502133660	GASKET	1	
210	1522133700	O- RING	1	
220	1584173020	ASSEMBLY COCK, DRAIN	1	

# KUBOTA V-1505 — OIL PAN ASSY.

OIL PAN ASSY.



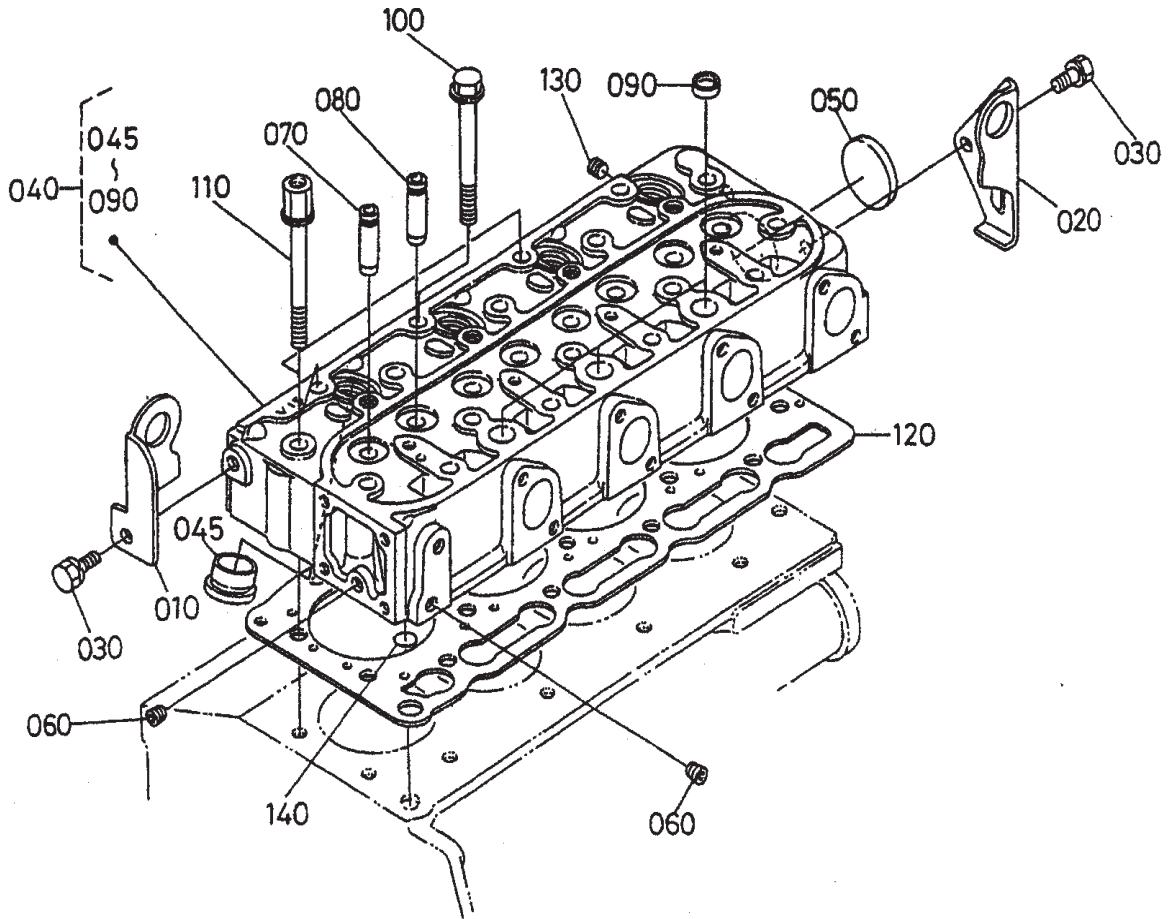
## KUBOTA V-1505 — OIL PAN ASSY.

### OIL PAN ASSY.

<u>NO.</u>	<u>PART NO.</u>	<u>PART NAME</u>	<u>QTY.</u>	<u>REMARKS</u>
010	1661601500	COMP. OIL PAN	1	
030	0102350612	BOLT	26	
040	1654133750	PLUG, DRAIN	1	
050	1545196670	GASKET	1	
060	1522133750	PLUG	1	
070	6009058960	GASKET	1	
080	1624132114	FILTER, OIL	1	
090	0112360816	BOLT	1	
100	0481400160	O RING	1	

# KUBOTA V-1505 — CYLINDER HEAD ASSY.

CYLINDER HEAD ASSY.



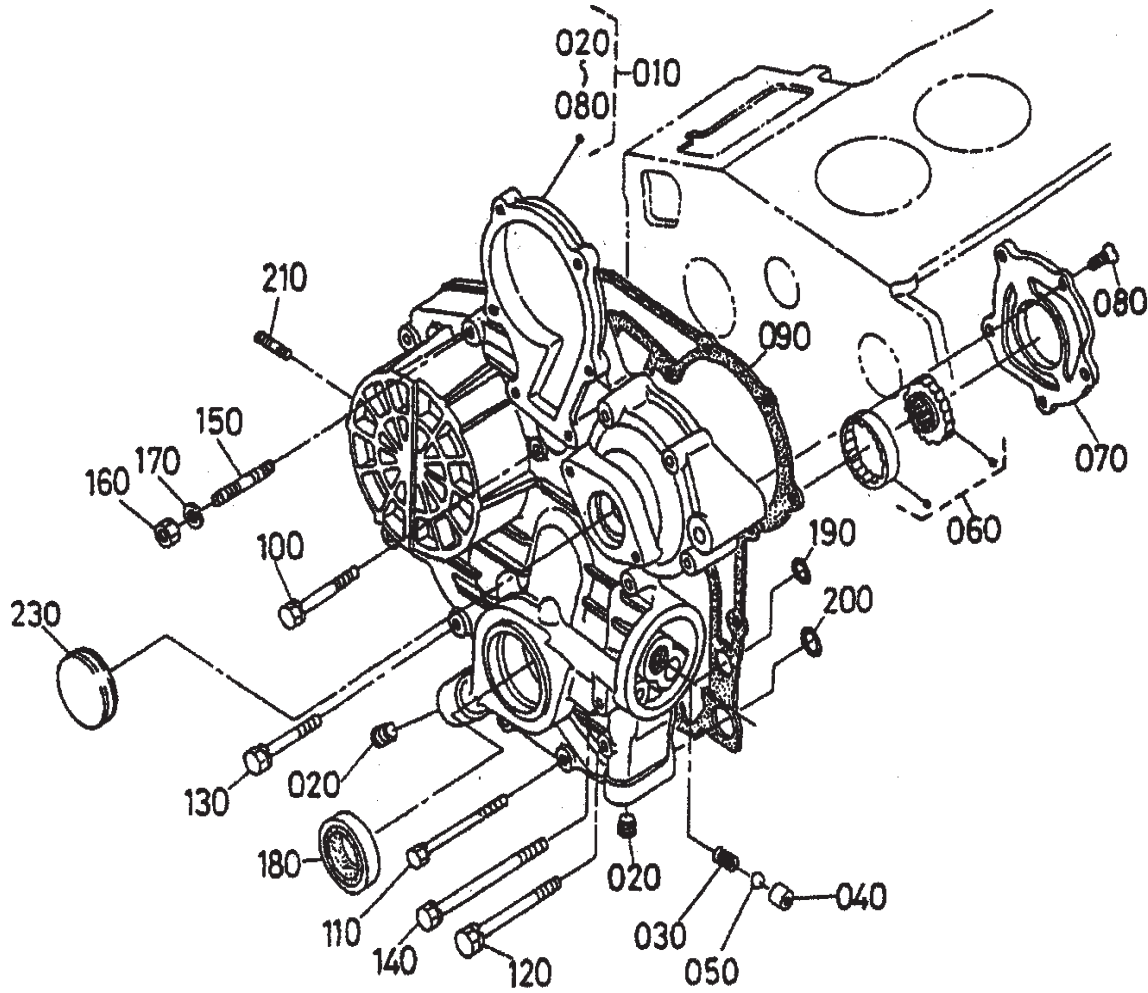
## KUBOTA V-1505 — CYLINDER HEAD ASSY.

### CYLINDER HEAD ASSY.

<u>NO.</u>	<u>PART NO.</u>	<u>PART NAME</u>	<u>QTY.</u>	<u>REMARKS</u>
010	1624101750	HOOK ENGINE	1	
020	1624101770	HOOK ENGINE	1	
030	0112360814	BOLT	2	
040	1606503040	COMP. CYLINDER HEAD	1	
045	1606503140	COMBUSTION CHAMBER	4	
050	1532196260	CAP, SEALING	1	
060	1526196010	PLUG	2	
070	1624113540	GUIDE, INLET VALVE	4	
080	1624113560	GUIDE, EXHAUST VALVE	4	
090	1526103370	CAP, SEALING	3	
100	1624103450	BOLT, CYLINDER HEAD	15	
110	1627103450	BOLT, CYLINDER HEAD	3	
120	1629203310	GASKET, CYLINDER HEAD	1	
130	1584196020	PLUG	1	

# KUBOTA V-1505 — GEAR CASE ASSY.

GEAR CASE ASSY.



## KUBOTA V-1505 — GEAR CASE ASSY.

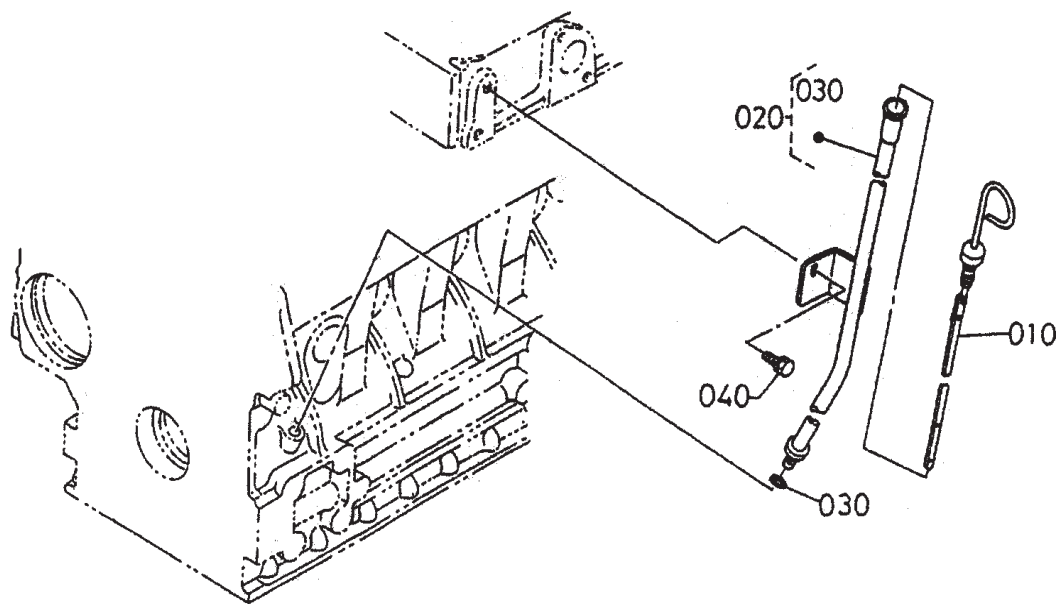
### GEAR CASE ASSY.

<u>NO.</u>	<u>PART NO.</u>	<u>PART NAME</u>	<u>QTY.</u>	<u>REMARKS</u>
010	1624104020	COMP. CASE, GEAR	1	
020	1624196020	PLUG	2	
030	1624136950	SPRING	1	
040	1624136930	SEAT, VALVE	1	
050	0771500201	BALL	1	
060	1624135070	ASSEMBLY ROTOR, OIL PUMP	1	
070	1624135130	COVER, OIL PUMP	1	
080	1624193120	SCREW, CSK- HD	5	
090	1626404130	GASKET, GEAR CASE	1	
100	0102350645	BOLT	3	
110	0102360650	BOLT	6	
120	0102350655	BOLT	2	
130	1584191040	BOLT	1	
140	1624191040	BOLT	1	
150	1624591530	STUD	1	
160	0205650060	NUT	1	
170	0451260060	WASHER, SPRING	1	
180	1624104212	SEAL, OIL	1	
190	0481406100	O RING	2	
200	0481400150	O RING	2	
210	1624591540	STUD	2	
230	1626483342	COVER, GEAR CASE	1	



# KUBOTA V-1505 — DIPSTICK AND GUIDE ASSY.

DIPSTICK AND GUIDE ASSY.



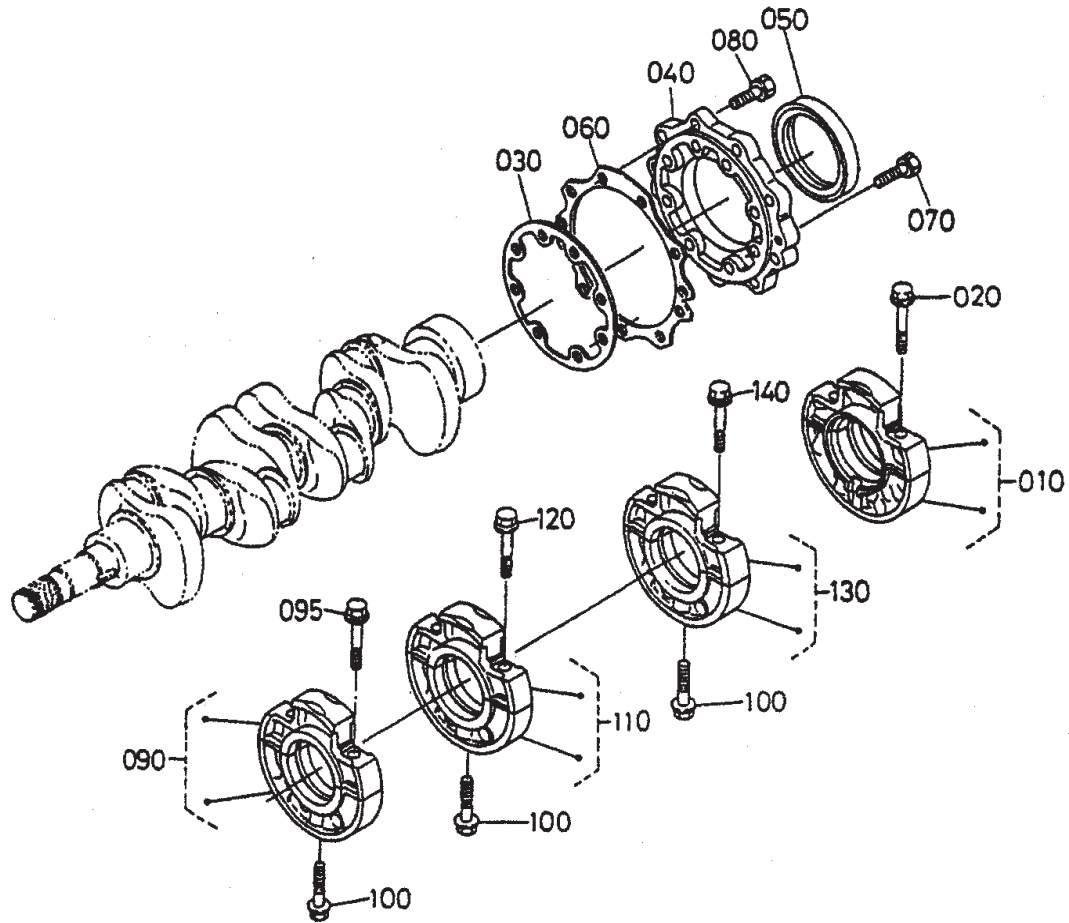
# KUBOTA V-1505 — DIPSTICK AND GUIDE ASSY.

## DIPSTICK AND GUIDE ASSY.

<u>NO.</u>	<u>PART NO.</u>	<u>PART NAME</u>	<u>QTY.</u>	<u>REMARKS</u>
010	1661136412	GAUGE, OIL	1	
020	1628236500	ASSEMBLY GUIDE, OILGAUGE	1	
030	0481400090	O RING	1	
040	0112360814	BOLT	1	

# KUBOTA V-1505 — MAIN BEARING CASE ASSY.

MAIN BEARING CASE ASSY.



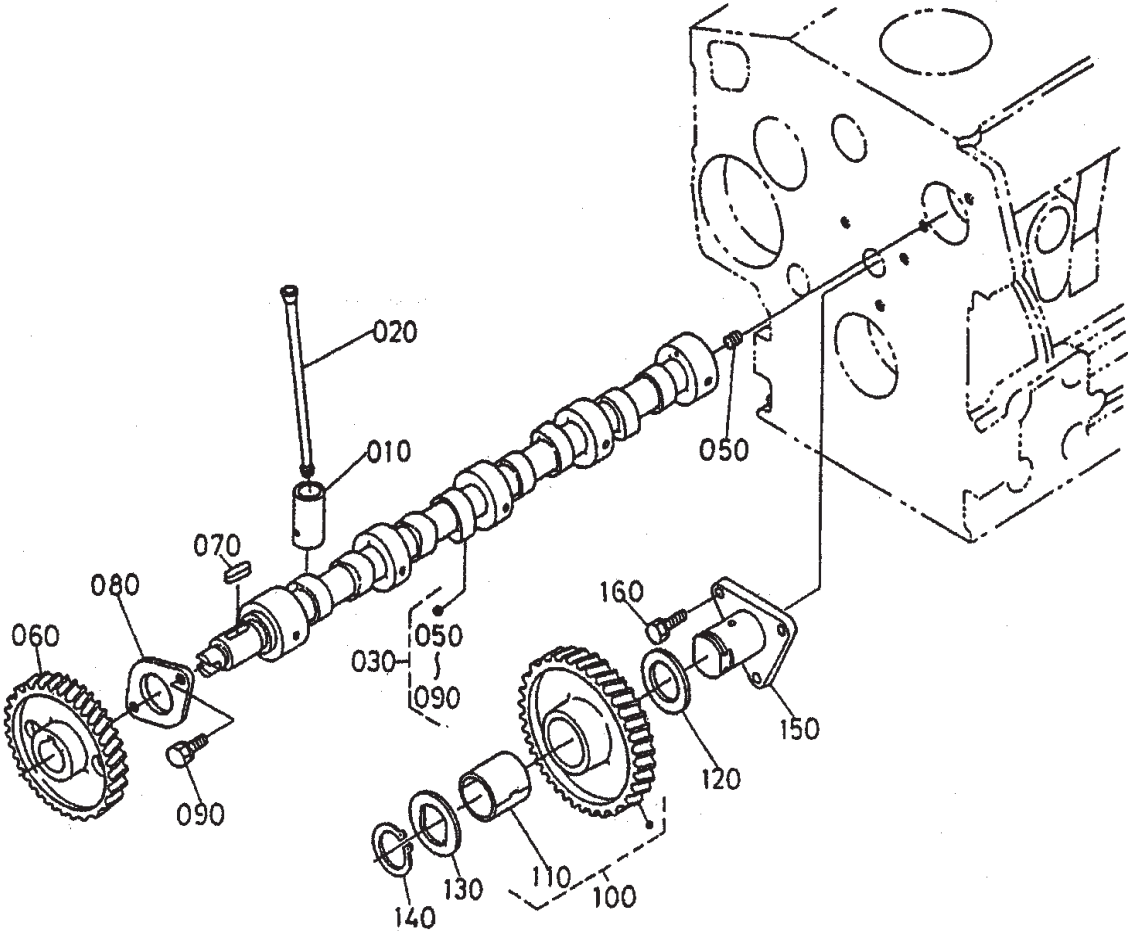
# KUBOTA V-1505 — MAIN BEARING CASE ASSY.

## MAIN BEARING CASE ASSY.

<u>NO.</u>	<u>PART NO.</u>	<u>PART NAME</u>	<u>QTY.</u>	<u>REMARKS</u>
010	1624104092	ASSEMBLY CASE, MAIN BRG.	1	
020	1624104540	BOLT, BEARING CASE	2	
030	1626404360	GASKET, BRG. CASE	1	
040	1624104813	COVER, BEARING CASE	1	
050	1624104460	SEAL, OIL	1	
060	1626404820	GASKET	1	
070	0102350625	BOLT	8	
080	0102350620	BOLT	9	
090	1629204040	ASSEMBLY CASE, MAIN BRG.	1	
095	1624104540	BOLT, BEARING CASE	2	
100	1624104560	BOLT, BEARING CASE	3	
110	1629204050	ASSEMBLY CASE, MAIN BRG.	1	
120	1624104540	BOLT, BEARING CASE	2	
130	1629204060	ASSEMBLY CASE, MAIN BRG.	1	
140	1624104540	BOLT, BEARING CASE	2	

# KUBOTA V-1505 — CAMSHAFT AND IDLE GEAR SHAFT ASSY.

CAMSHAFT AND IDLE GEAR SHAFT ASSY.



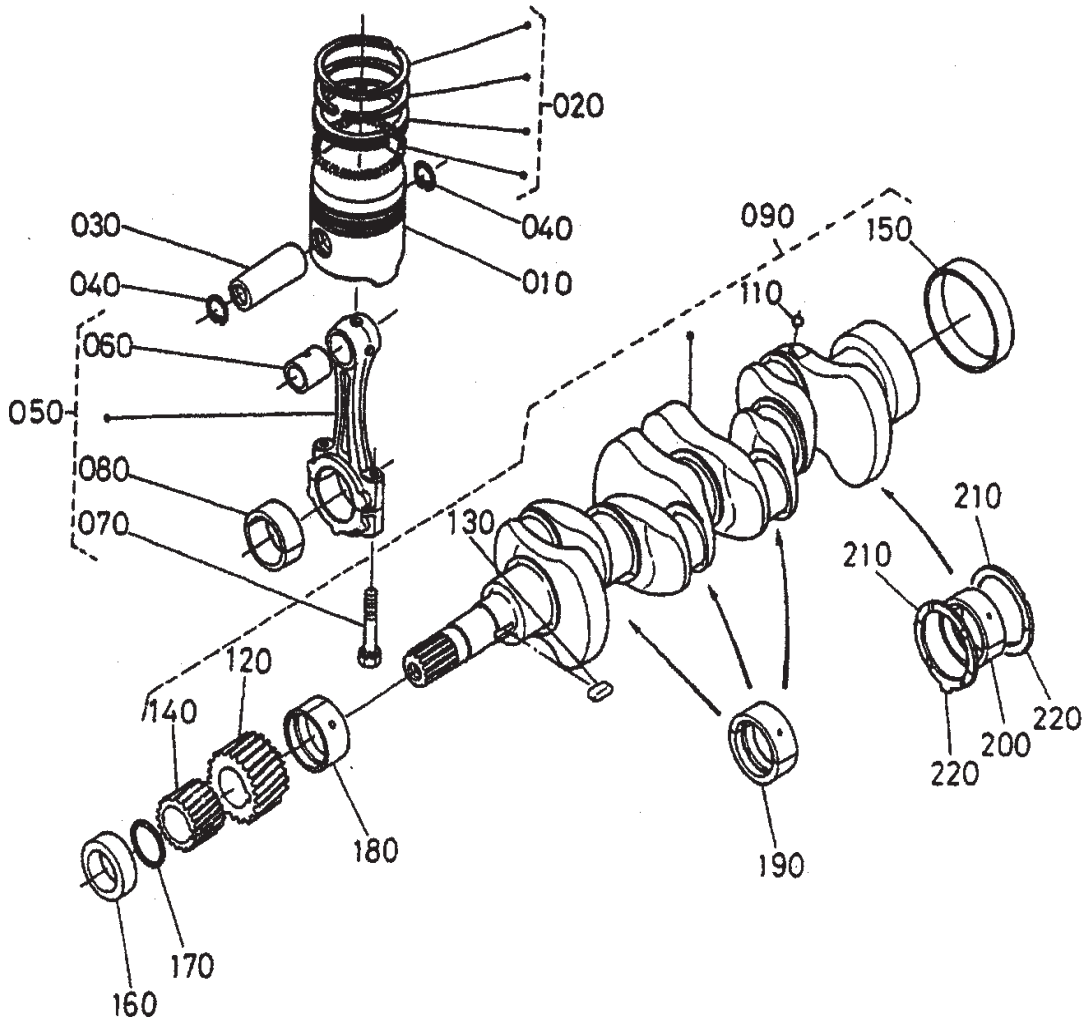
# KUBOTA V-1505 — CAMSHAFT AND IDLE GEAR SHAFT ASSY.

## CAMSHAFT AND IDLE GEAR SHAFT ASSY.

<u>NO.</u>	<u>PART NO.</u>	<u>PART NAME</u>	<u>QTY.</u>	<u>REMARKS</u>
010	1626115550	TAPPET	8	
020	1624115110	PUSH ROD	8	
030	1629216010	ASSEMBLY, CAMSHAFT	1	
050	1552193610	SCREW, SET	1	
060	1624116510	GEAR, CAM	1	
070	0571200518	KEY, FEATHER	1	
080	1624116270	STOPPER, CAMSHAFT	1	
090	0102350614	BOLT	2	
100	1627124010	COMP. GEAR, IDLE	1	
110	1627124980	BUSH, IDLE GEAR	1	
120	1624124360	COLLAR, IDLE GEAR	1	
130	1624124370	COLLAR, IDLE GEAR	1	
140	1624124320	CIR. CLIP, IDLE GEAR	1	
150	1624124250	SHAFT, IDLE GEAR	1	
160	0102350616	BOLT	3	

# KUBOTA V-1505 — PISTON AND CRANKSHAFT ASSY.

PISTON AND CRANKSHAFT ASSY.



# KUBOTA V-1505 — PISTON AND CRANKSHAFT ASSY.

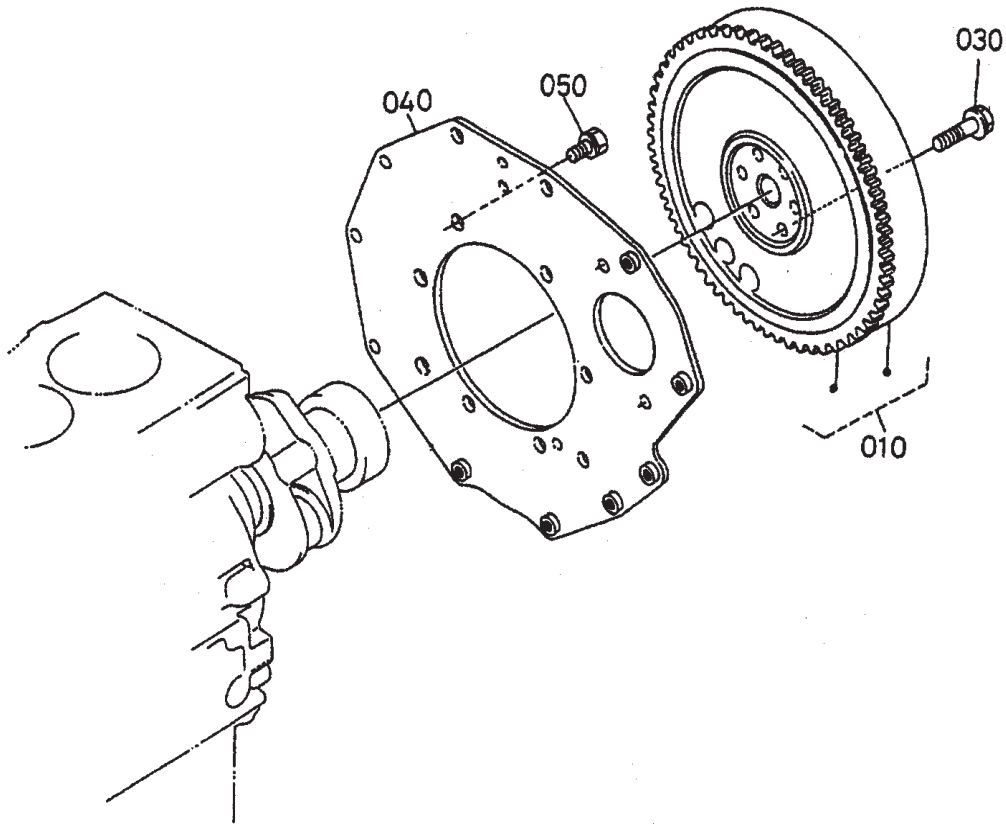
## PISTON AND CRANKSHAFT ASSY.

<u>NO.</u>	<u>PART NO.</u>	<u>PART NAME</u>	<u>QTY.</u>	<u>REMARKS</u>
010	1629221110	PISTON .....	4 .....	STANDARD
010	1606021910	PISTON .....	4 .....	+0.50MM
020	1629221050	ASSEMBLY, PISTON RING .....	4 .....	STANDARD
020	1626121090	ASSEMBLY, PISTON RING .....	4 .....	+0.50MM
030	1624121310	PIN, PISTON	4	
040	1624121330	CIR. CLIP, PISTON PIN	8	
050	1629222010	ASSEMBLY ROD, CONNECTING	4	
060	1624121980	BUSH, PISTON PIN	4	
070	1624122140	BOLT, CONNECTING ROD	8	
080	1629222310	METAL, CRANKPIN .....	4 .....	STANDARD SET
080	1624122970	METAL, CRANKPIN .....	4 .....	- 0.2MM SET
080	1624122980	METAL, CRANKPIN .....	4 .....	- 0.4MM SET
090	1628223013	COMP. CRANKSHAFT	1	
110	0771500401	BALL	4	
120	1624124110	GEAR, CRANK	1	
130	1627195230	KEY	1	
140	1624135630	GEAR, OIL PUMP DRIVE	1	
150	1624123280	SLEEVE, CRANKSHAFT	1	
160	1624123250	COLLAR, CRANKSHAFT	1	
170	0481410280	O RING	1	
180	1629223470	METAL, CRANKSHAFT .....	1 .....	STANDARD
180	1624123910	METAL, CRANKSHAFT .....	1 .....	- 0.2MM
180	1624123920	METAL, CRANKSHAFT .....	1 .....	- 0.4MM
190	1629223480	METAL, CRANKSHAFT .....	3 .....	STANDARD SET
190	1624123930	METAL, CRANKSHAFT .....	3 .....	- 0.2MM SET
190	1624123940	METAL, CRANKSHAFT .....	3 .....	- 0.4MM SET
200	1629223490	METAL, CRANKSHAFT .....	1 .....	STANDARD SET
200	1624123860	METAL, CRANKSHAFT .....	1 .....	- 0.2MM SET
200	1624123870	METAL, CRANKSHAFT .....	1 .....	- 0.4MM SET
210	1552123530	METAL, SIDE .....	2 .....	STANDARD
210	1552123950	METAL, SIDE .....	2 .....	+0.2MM
210	1552123960	METAL, SIDE .....	2 .....	+0.4MM
220	1920223540	METAL, SIDE .....	2 .....	STANDARD
220	1920223970	METAL, SIDE .....	2 .....	+0.2MM
220	1920223980	METAL, SIDE .....	2 .....	+0.4MM



# KUBOTA V-1505 — FLYWHEEL ASSY.

FLYWHEEL ASSY.



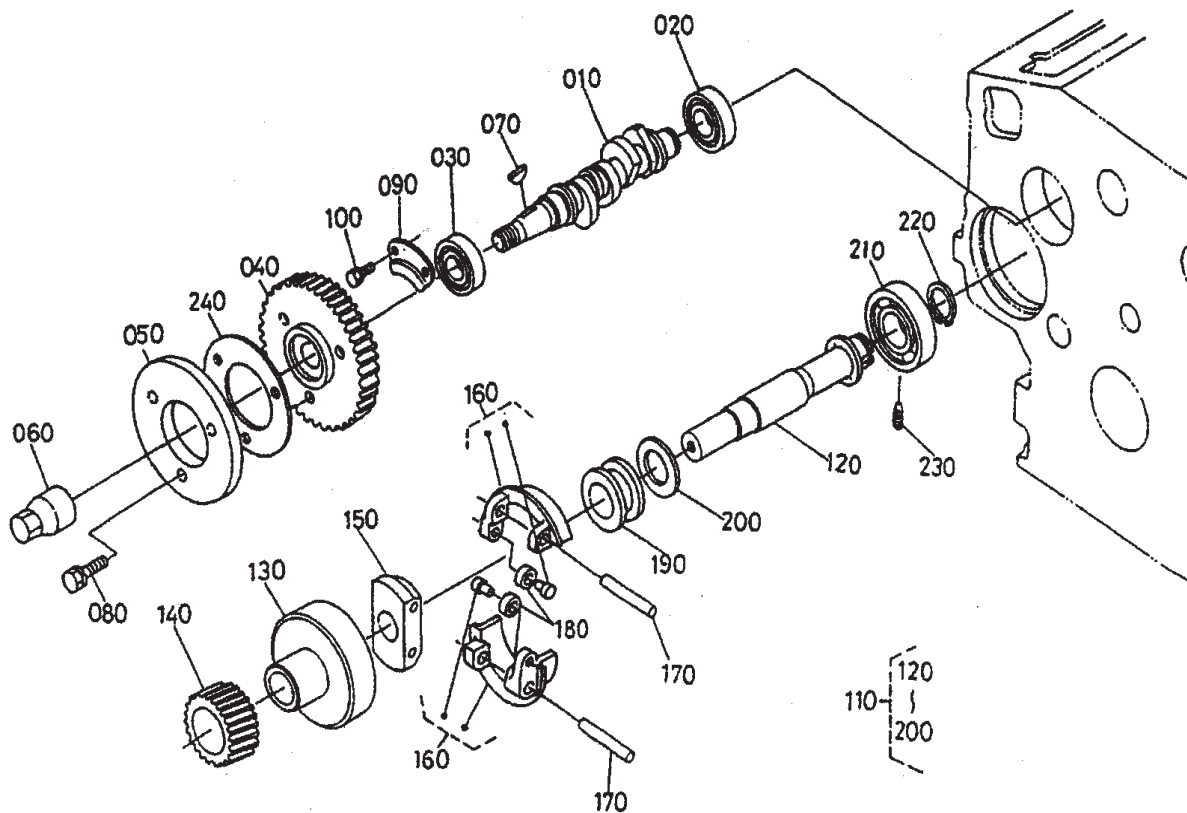
# KUBOTA V-1505 — FLYWHEEL ASSY.

## FLYWHEEL ASSY.

<u>NO.</u>	<u>PART NO.</u>	<u>PART NAME</u>	<u>QTY.</u>	<u>REMARKS</u>
010	1661425012	COMP. FLYWHEEL	1	
030	1624125160	BOLT, FLYWHEEL	6	
040	1E01904620	PLATE, REAR END	1	
050	1526191190	BOLT	8	

# KUBOTA V-1505 — FUEL CAMSHAFT AND GOV. SHAFT ASSY.

FUEL CAMSHAFT AND GOVERNOR SHAFT ASSY.



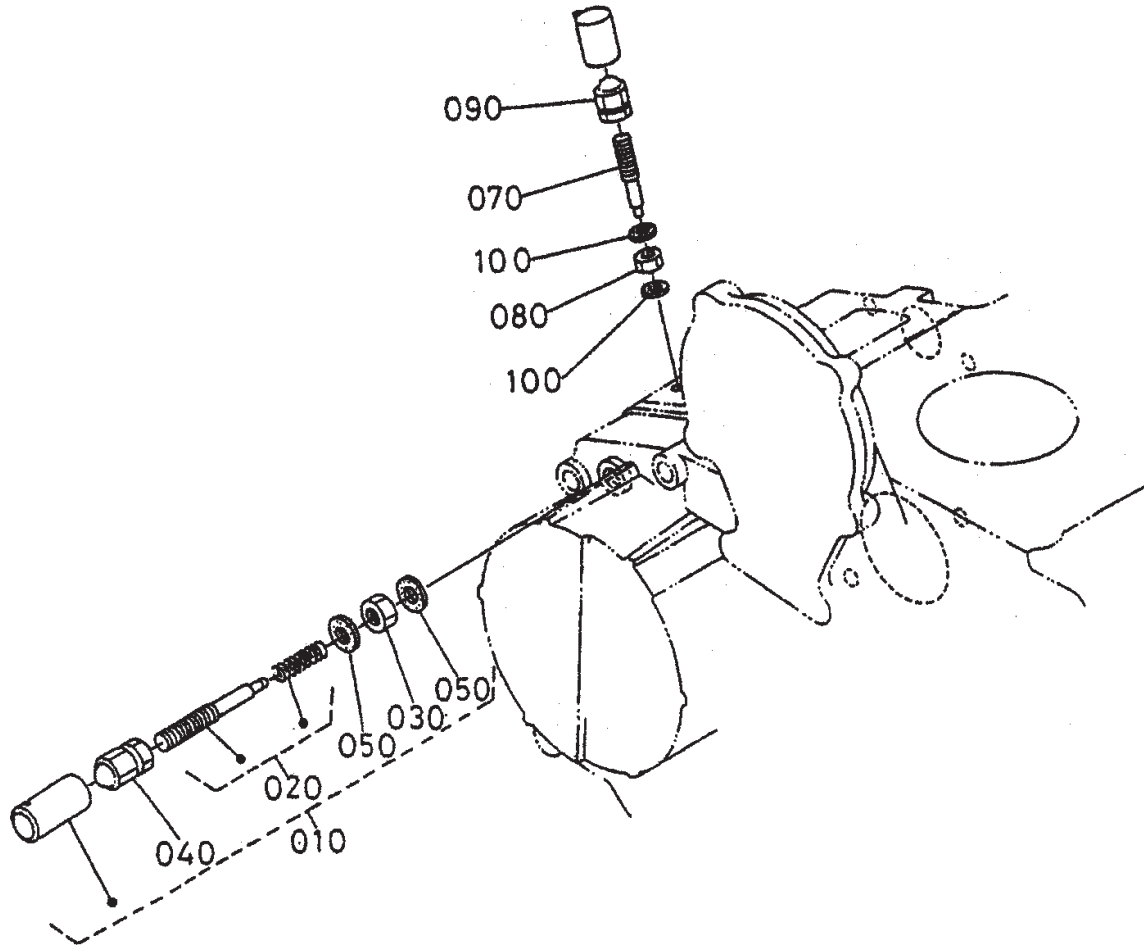
# KUBOTA V-1505 — FUEL CAMSHAFT AND GOV. SHAFT ASSY.

## FUEL CAMSHAFT AND GOVERNOR SHAFT ASSY.

<u>NO.</u>	<u>PART NO.</u>	<u>PART NAME</u>	<u>QTY.</u>	<u>REMARKS</u>
010	1604016170	CAMSHAFT, FUEL	1	
020	0810306202	BEARING, BALL	1	
030	0810306204	BEARING, BALL	1	
040	1627251150	GEAR, INJECTION PUMP	1	
050	1624151113	CAM, FUEL	1	
060	1624192330	NUT, CAP	1	
070	1624195230	KEY, WOODRUFF	1	
080	0102350618	BOLT	3	
090	1624116320	STOPPER, FUEL CAMSHAFT	1	
100	0102350612	BOLT	2	
110	1628255013	ASSEMBLY SHAFT, GOVERNOR	1	
120	1627155313	SHAFT, GOVERNOR	1	
130	1624155392	HOLDER, GOVERNOR GEAR	1	
140	1628255320	GEAR, GOVERNOR	1	
150	1624155270	HOLDER, GOVERNOR WEIGHT	1	
160	1624155062	COMP. WEIGHT, GOVERNOR	2	
170	1624155260	SHAFT, GOVERNOR WEIGHT	2	
180	1948455440	ROLLER	2	
190	1624155450	SLEEVE, GOVERNOR	1	
200	1624155463	WASHER, THRUST	1	
210	0810106304	BEARING, BALL	1	
220	1627155410	CIR. CLIP, GOVERNOR SHAFT	1	
230	1624155554	SCREW, SET	1	
240	1624151190	WASHER	1	

# KUBOTA V-1505 — ENGINE STOP LEVER ASSY.

ENGINE STOP LEVER ASSY.



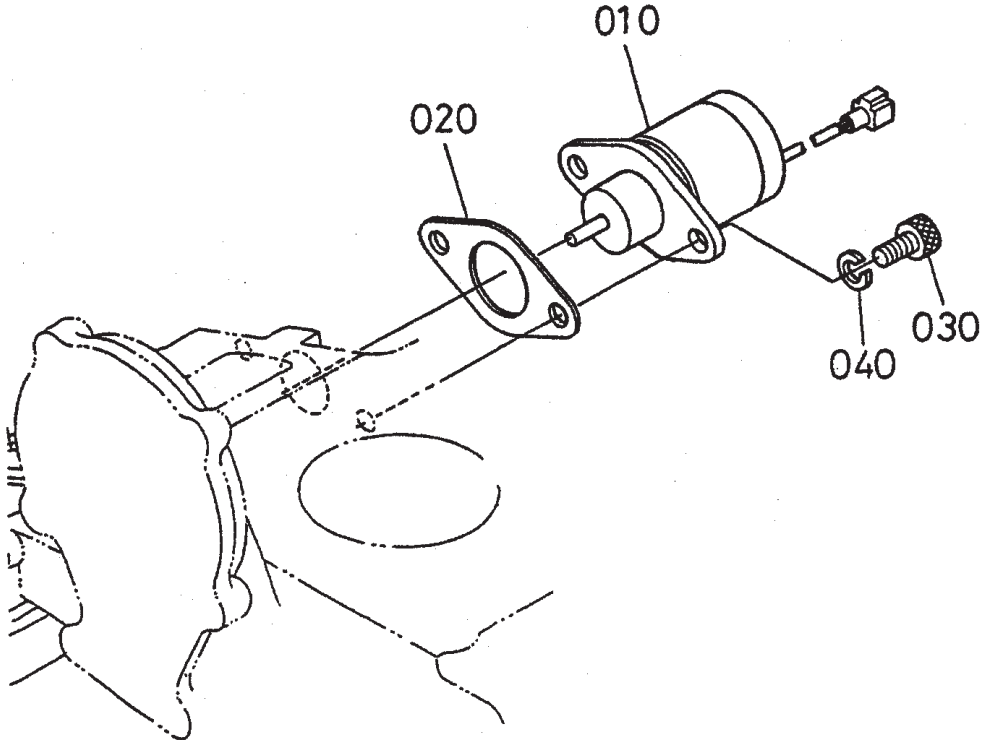
# KUBOTA V-1505 — ENGINE STOP LEVER ASSY.

## ENGINE STOP LEVER ASSY.

<u>NO.</u>	<u>PART NO.</u>	<u>PART NAME</u>	<u>QTY.</u>	<u>REMARKS</u>
010	1628554090	ASSEMBLY APPARATUS, IDLE	1	
020	1628554102	ASSEMBLY BOLT, ADJUSTING	1	
030	1584192020	NUT	1	
040	1584192330	NUT, CAP	1	
050	1560196650	GASKET	2	
070	1624154120	BOLT, ADJUSTING	1	
080	1584192020	NUT	1	
090	1584192330	NUT, CAP	1	
100	1560196650	GASKET	2	

# KUBOTA V-1505 — STOP SOLENOID ASSY.

STOP SOLENOID ASSY.



# KUBOTA V-1505 — STOP SOLENOID ASSY.

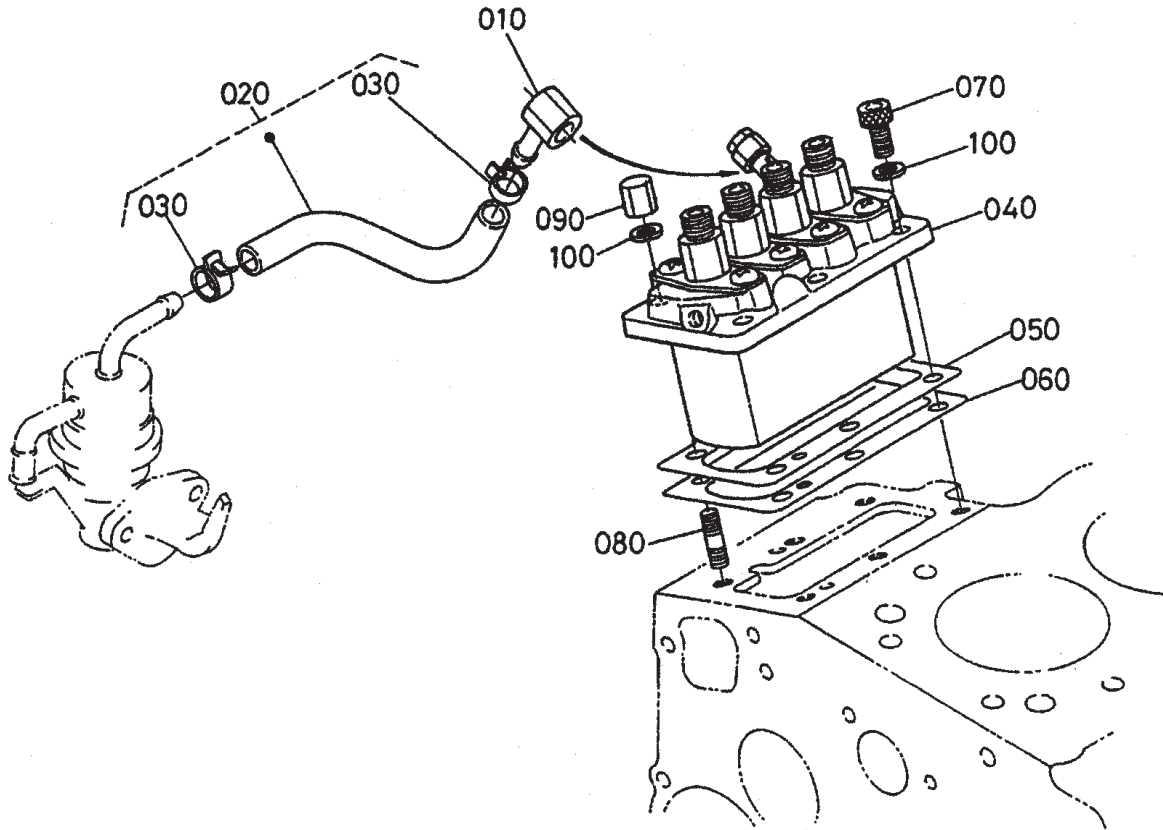
STOP SOLENOID ASSY.

<u>NO.</u>	<u>PART NO.</u>	<u>PART NAME</u>	<u>QTY.</u>	<u>REMARKS</u>
010	1745460010	SOLENOID, STOP	1	
020	1629960150	GASKET	1	
030	0131110614	BOLT, HEX- SOC- HD	2	
040	0451260060	WASHER, SPRING	2	



# KUBOTA V-1505 — INJECTION PUMP ASSY.

INJECTION PUMP ASSY.



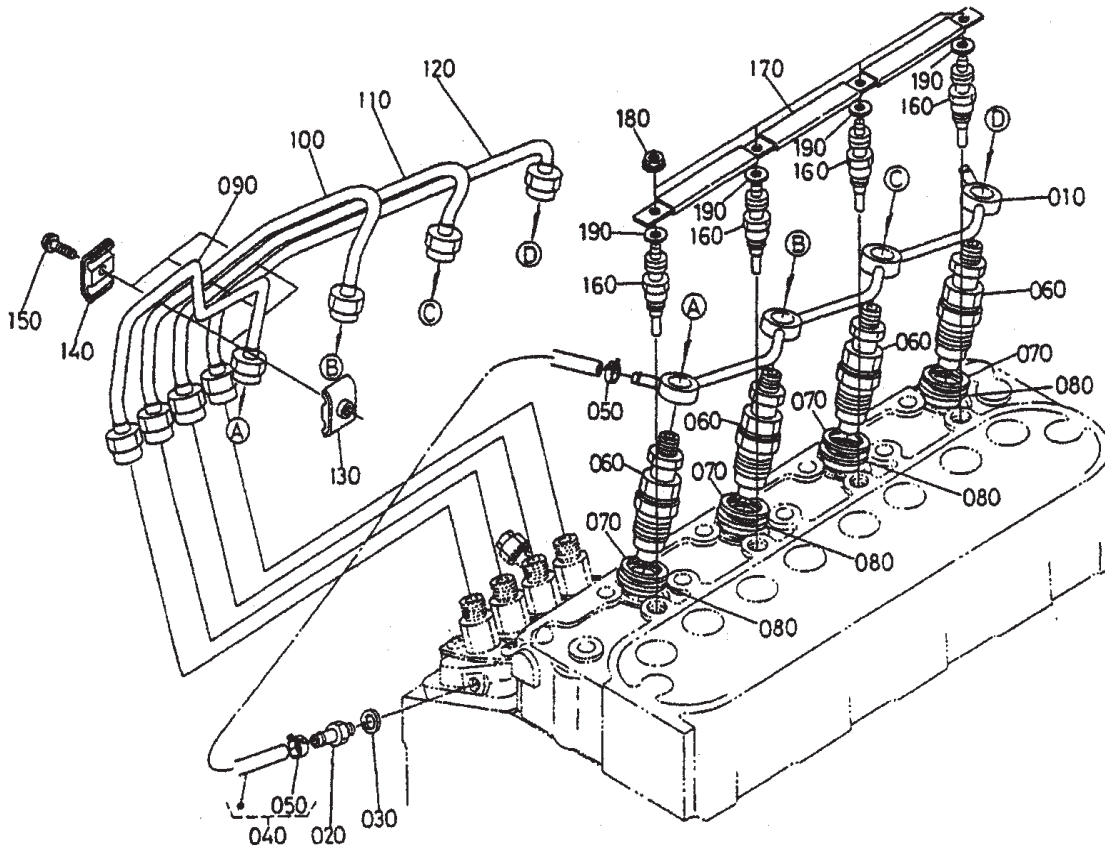
# KUBOTA V-1505 — INJECTION PUMP ASSY.

## INJECTION PUMP ASSY.

<u>NO.</u>	<u>PART NO.</u>	<u>PART NAME</u>	<u>QTY.</u>	<u>REMARKS</u>
010	1624195690	JOINT, EYE	1	
020	1624142010	ASSEMBLY PIPE, FUEL	1	
030	1491142750	CLIP, PIPE	2	
040	1606051010	ASSEMBLY PUMP, INJECTION	1	
050	1604052092	SHIM, INJECTION PUMP .....	1 .....	0.20MM
050	1604052112	SHIM, INJECTION PUMP .....	1 .....	0.25MM
060	1604052122	SHIM, INJECTION PUMP .....	1 .....	0.30MM
070	0131110620	BOLT, HEX- SOC- HD	3	
080	1584191500	STUD	3	
090	1584192320	NUT, CAP	3	
100	0451260060	WASHER, SPRING	6	

# KUBOTA V-1505 —NOZZLE AND GLOW PLUG ASSY.

NOZZLE HOLDER AND GLOW PLUG ASSY.



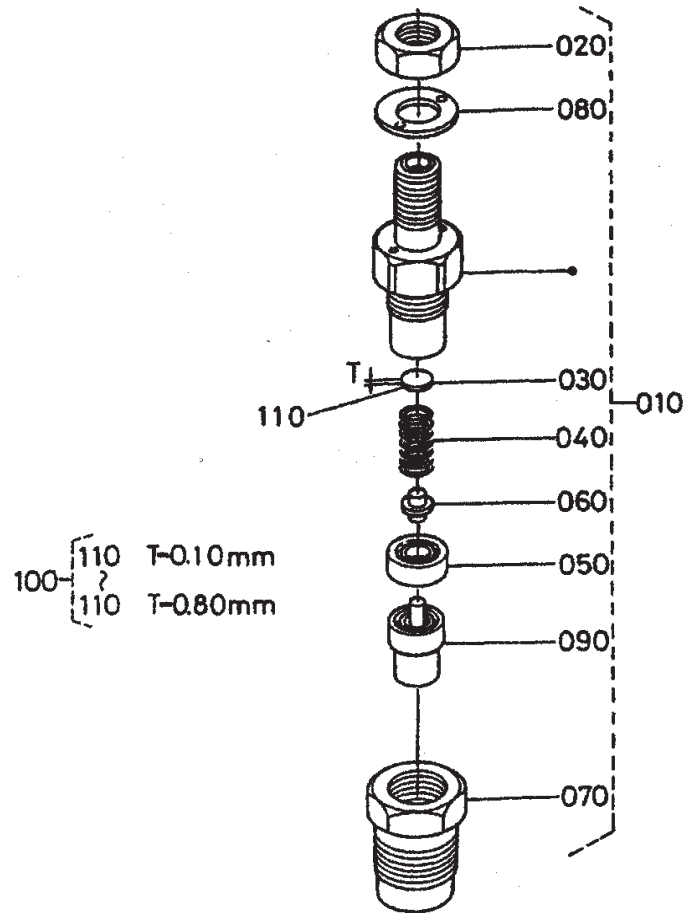
# KUBOTA V-1505 —NOZZLE AND GLOW PLUG ASSY.

## NOZZLE HOLDER AND GLOW PLUG ASSY.

<u>NO.</u>	<u>PART NO.</u>	<u>PART NAME</u>	<u>QTY.</u>	<u>REMARKS</u>
010	1627142502	ASSEMBLY PIPE, OVER FLOW	1	
020	1584151360	SCREW, AIR BREEDER	1	
030	1560196650	GASKET	1	
040	1584142500	ASSEMBLY PIPE, OVER FLOW	1	
050	1497142750	CLIP, PIPE	2	
060	1603253000	ASSEMBLY HOLDER, NOZZLE	4	
070	1584153622	GASKET	4	
080	1907753650	SEAL, HEAT	4	
090	1628253712	PIPE, INJECTION	1	
100	1627153722	PIPE, INJECTION	1	
110	1627153732	PIPE, INJECTION	1	
120	1627153742	PIPE, INJECTION	1	
130	1584153850	CLAMP, PIPE	3	
140	1584153860	CLAMP, PIPE	3	
150	0302450520	SCREW, WITH WASHER	3	
160	1606565510	GLOW PLUG	4	
170	1627165560	CORD, GLOW PLUG	1	
180	0276150040	NUT, FLANGE	4	
190	0401360040	WASHER, PLAIN	4	

# KUBOTA V-1505 — NOZZLE HOLDER (COMPONENT PARTS) ASSY.

NOZZLE HOLDER (COMPONENT PARTS) ASSY.



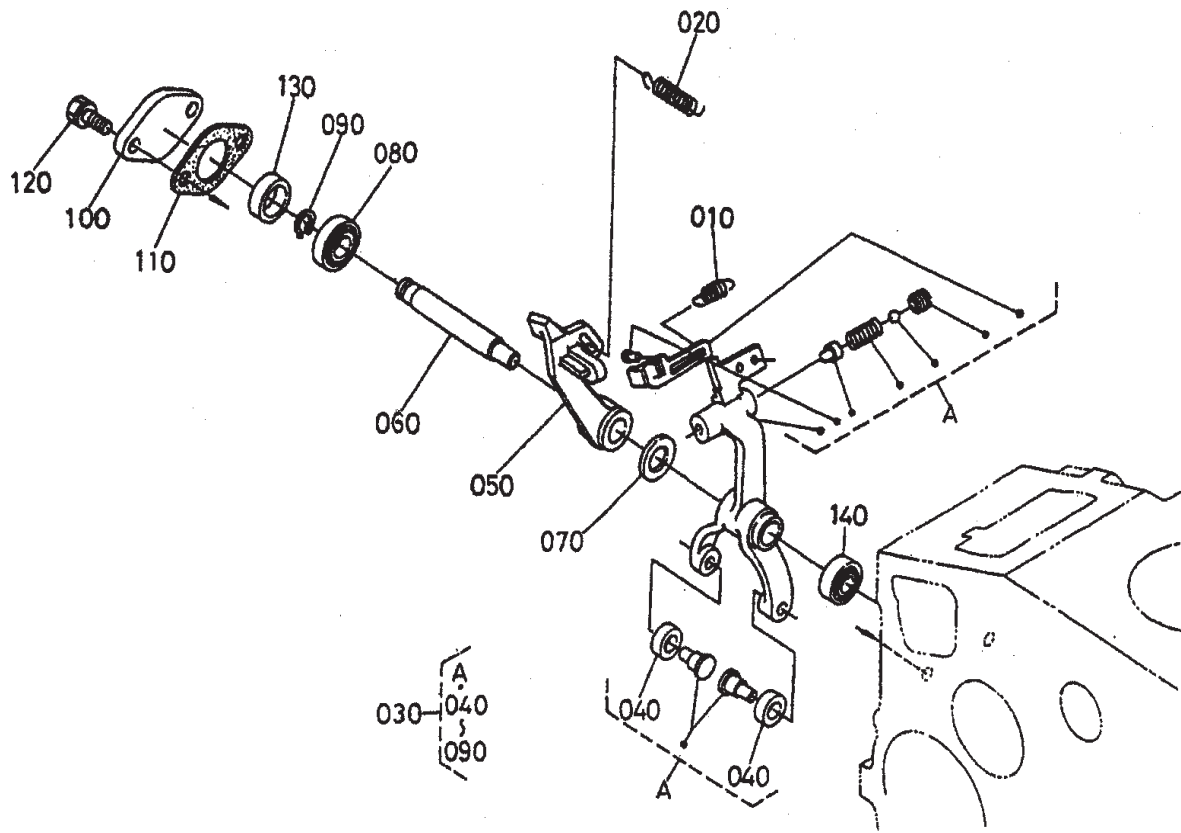
# KUBOTA V-1505 — NOZZLE HOLDER (COMPONENT PARTS) ASSY.

## NOZZLE HOLDER (COMPONENT PARTS) ASSY.

<u>NO.</u>	<u>PART NO.</u>	<u>PART NAME</u>	<u>QTY.</u>	<u>REMARKS</u>
010	1603253000	ASSEMBLY HOLDER, NOZZLE	4	
020	1603292030	NUT	4	
030	1603253230	WASHER, ADJUSTING	4	
040	1603253170	SPRING, NOZZLE	4	
050	1603253350	SPACER, DISTANCE	4	
060	1603253160	PUSH ROD	4	
070	1603253280	NUT, NOZZLE	4	
080	1603294040	WASHER, PLAIN	4	
090	1603253610	PIECE, NOZZLE	4	
100	1603298100	ASSEMBLY WASHER, ADJUST .....	4 .....	OPTION
110	1603298500	WASHER, ADJUSTING .....	4 .....	0. 10MM
110	1603298510	WASHER, ADJUSTING .....	4 .....	0. 20MM
110	1603298520	WASHER, ADJUSTING .....	4 .....	0. 30MM
110	1603298530	WASHER, ADJUSTING .....	4 .....	0. 40MM
110	1603298540	WASHER, ADJUSTING .....	4 .....	0. 50MM
110	1603298550	WASHER, ADJUSTING .....	4 .....	0. 52MM
110	1603298560	WASHER, ADJUSTING .....	4 .....	0. 54MM
110	1603298570	WASHER, ADJUSTING .....	4 .....	0. 56MM
110	1603298580	WASHER, ADJUSTING .....	4 .....	0. 58MM
110	1603298590	WASHER, ADJUSTING .....	4 .....	0. 80MM

# KUBOTA V-1505 — FORK LEVER (GOVERNOR) ASSY.

FORK LEVER (GOVERNOR) ASSY.



## KUBOTA V-1505 — FORK LEVER (GOVERNOR) ASSY.

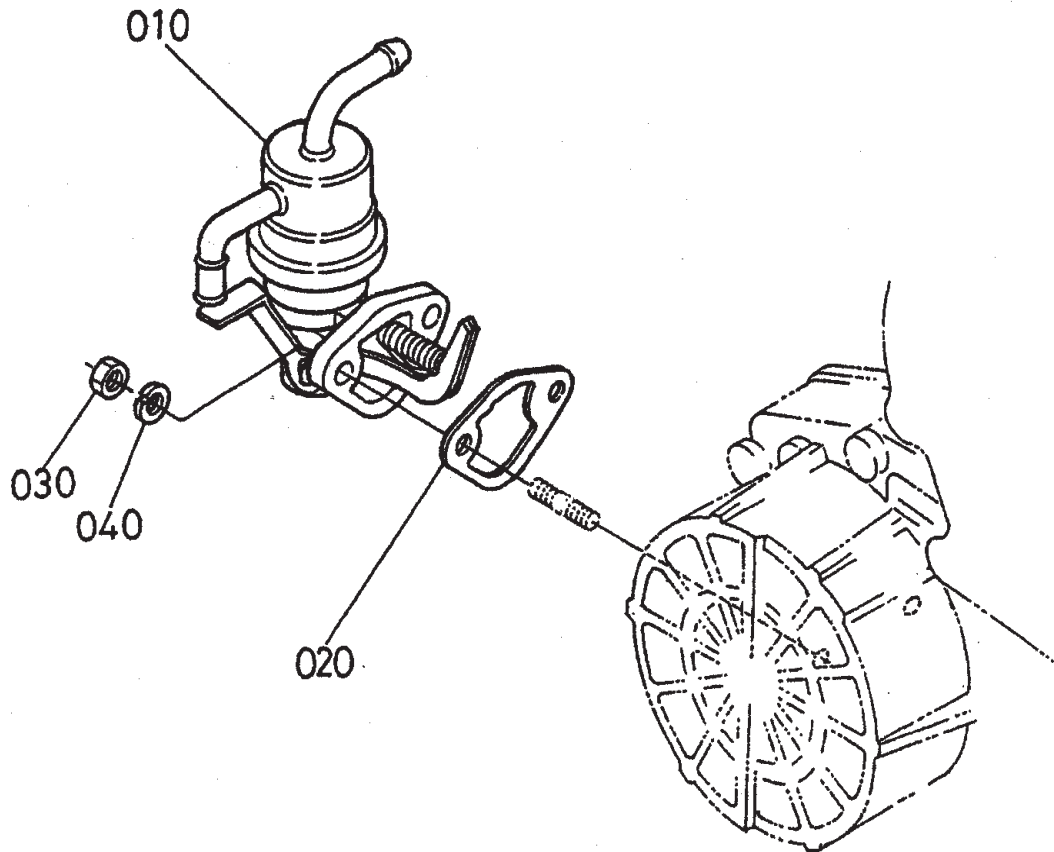
### FORK LEVER (GOVERNOR) ASSY.

<u>NO.</u>	<u>PART NO.</u>	<u>PART NAME</u>	<u>QTY.</u>	<u>REMARKS</u>
010	1627156480	SPRING, START	1	
020	1628556412	SPRING, GOVERNOR	1	
030	1629256052	ASSEMBLY LEVER, FORK	1	
040	1948455440	ROLLER	2	
050	1622256130	LEVER, FORK	1	
060	1624256153	SHAFT, FORK LEVER	1	
070	1624194010	WASHER, PLAIN	1	
080	1624156330	BEARING, MINIATURIZE	1	
090	0461200090	CIR. CLIP, EXTERNAL	1	
100	1624156250	COVER, FORK LEVER SHAFT	1	
120	0102350614	BOLT	2	
130	1624156210	COLLAR	1	
140	1624156340	BEARING MINIATURIZE	1	



# KUBOTA V-1505 — FUEL PUMP (MECHANICAL) ASSY.

FUEL PUMP (MECHANICAL) ASSY.



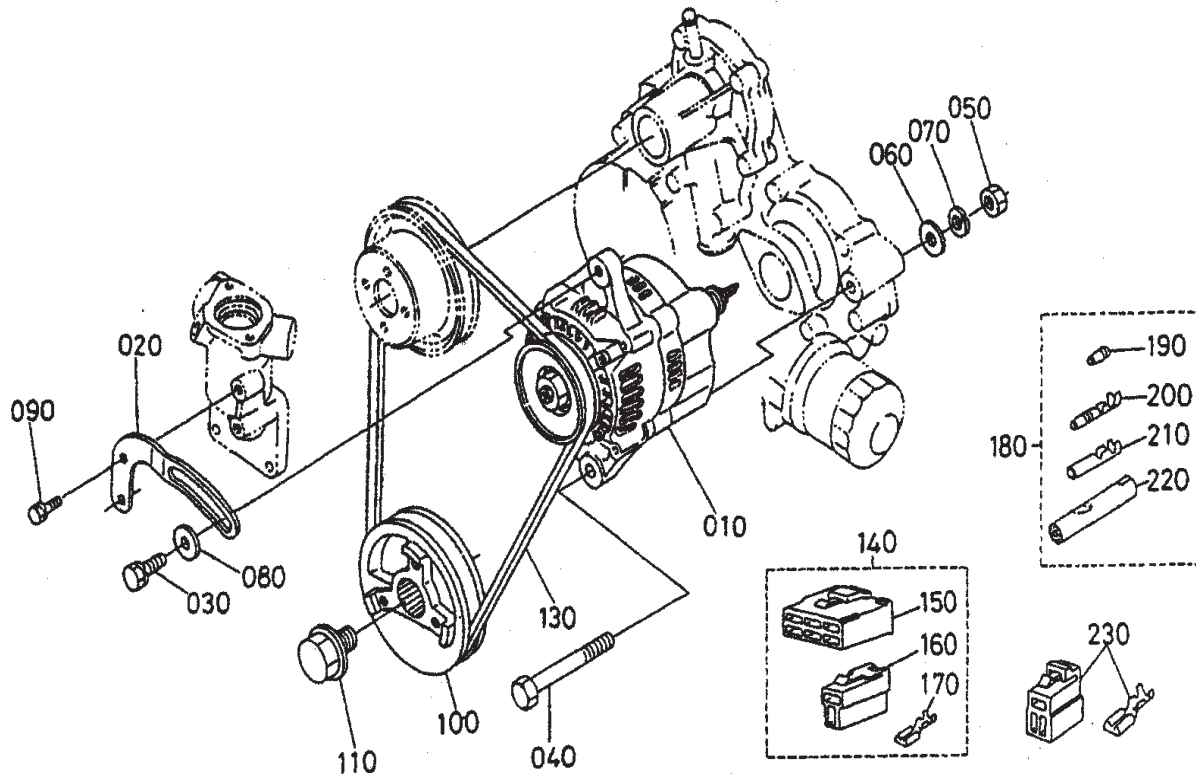
# KUBOTA V-1505 — FUEL PUMP (MECHANICAL) ASSY.

FUEL PUMP (MECHANICAL) ASSY.

<u>NO.</u>	<u>PART NO.</u>	<u>PART NAME</u>	<u>QTY.</u>	<u>REMARKS</u>
010	1628552032	ASSEMBLY PUMP, FUEL	1	
020	1626452140	GASKET, FUEL PUMP	1	
030	0205650060	NUT	2	
040	0451260060	WASHER, SPRING	2	

# KUBOTA V-1505 — ALTERNATOR AND PULLEY ASSY.

ALTERNATOR AND PULLEY ASSY.



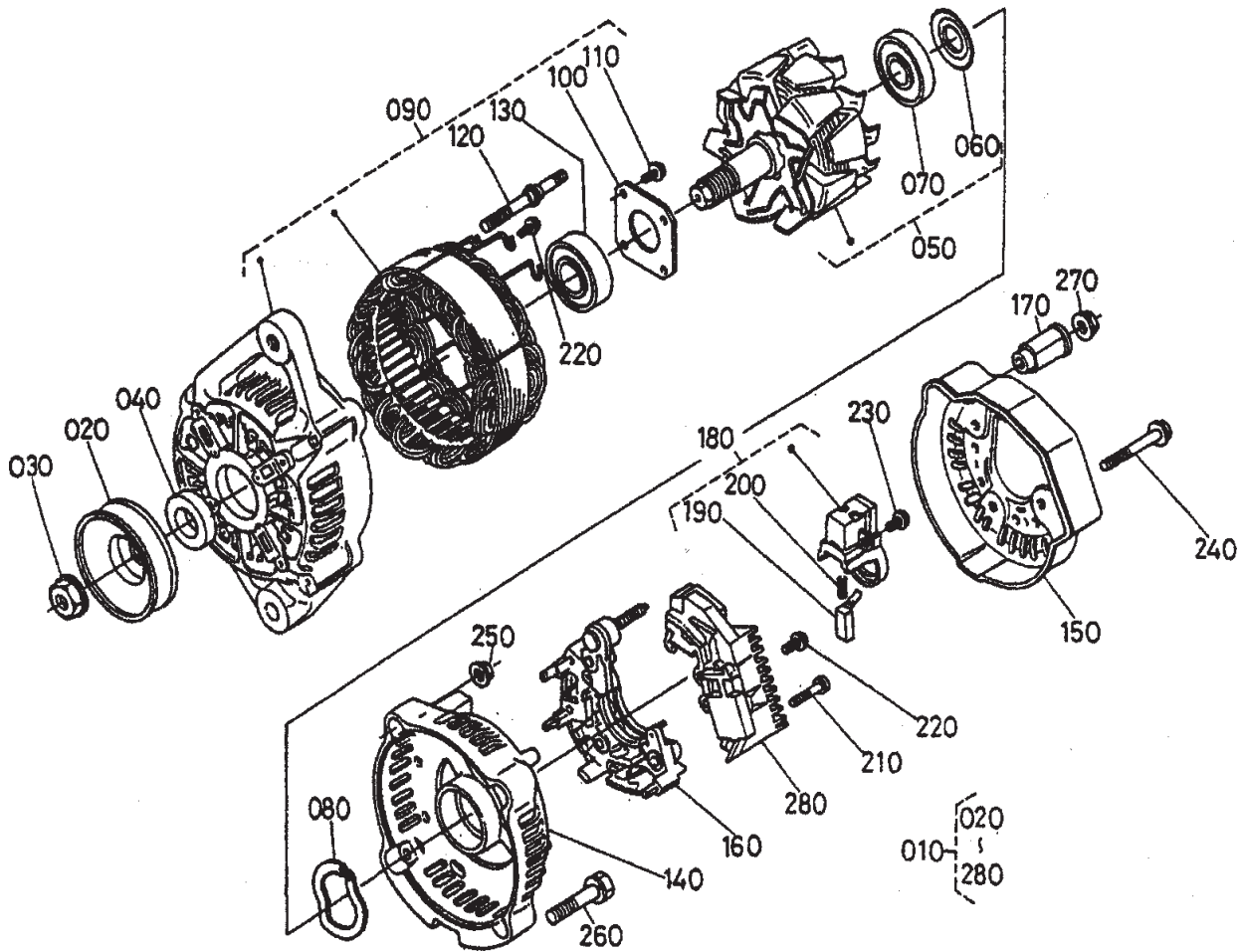
# KUBOTA V-1505 — ALTERNATOR AND PULLEY ASSY.

## ALTERNATOR AND PULLEY ASSY.

<u>NO.</u>	<u>PART NO.</u>	<u>PART NAME</u>	<u>QTY.</u>	<u>REMARKS</u>
010	1624164010	ASSEMBLY ALERNATOR.....	1 .....	12V/40A
020	1624164420	STAY, DYNAMO	1	
030	0112350830	BOLT	1	
040	0117351085	BOLT	1	
050	0217650100	NUT	1	
060	0401150100	WASHER, PLAIN	1	
070	0451260100	WASHER, SPRING	1	
080	0401560080	WASHER, PLAIN	1	
090	0102350616	BOLT	1	
100	1624975280	PULLEY, FAN DRIVE	1	
110	1624191020	BOLT, FAN DRIVE	1	
130	1628297010	V BELT .....	1 .....	37.5 IN.
140	1988365830	ASSEMBLY COUPLER	1	
150	1987265840	CONNECTOR	1	
160	1987265880	CONNECTOR	1	
170	1923765910	TERMINAL	7	
180	1926865780	ASSEMBLY TERMINAL	1	
190	6827165910	TERMINAL	1	
200	6827165920	SLEEVE	1	
210	1926865930	TERMINAL	1	
220	1926865870	SLEEVE	1	
230	1625965830	ASSEMBLY COUPLER, LOCK	1	

# KUBOTA V-1505 — ALTERNATOR (COMP. PARTS) ASSY.

ALTERNATOR (COMONENT PARTS) ASSY.



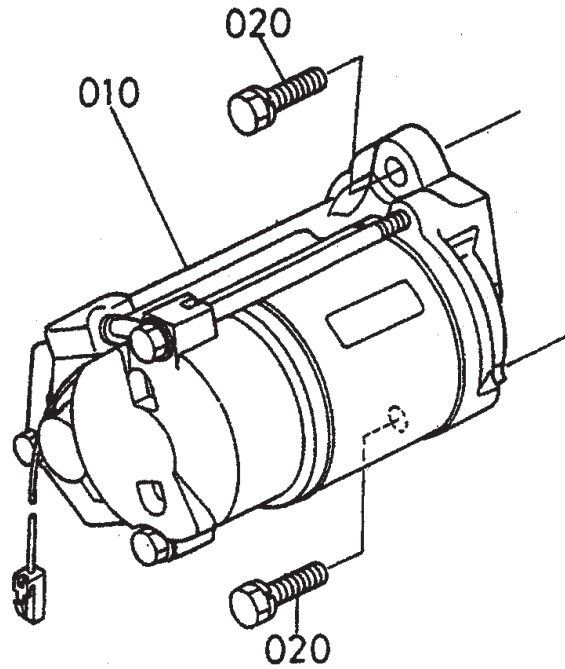
# KUBOTA V-1505 — ALTERNATOR (COMP. PARTS) ASSY.

## ALTERNATOR( COMPONENT PARTS) ASSY.

<u>NO.</u>	<u>PART NO.</u>	<u>PART NAME</u>	<u>QTY.</u>	<u>REMARKS</u>
010	1624164010	ASSEMBLY ALERNATOR	1	
020	1588164110	PULLEY, DYNAMO	1	
030	1588192010	NUT	1	
040	1588164150	COLLAR	1	
050	1588164040	ROTOR	1	
060	1588164800	COVER, BEARING	1	
070	1588164770	BEARING, BALL	1	
080	1588164810	WASHER, THRUST	1	
090	1588164020	FRAME, DRIVE END	1	
100	1588184710	PLATE, RETAINER	1	
110	1588193010	SCREW, ROUND HEAD	4	
120	1588164260	BOLT, THROUGH	2	
130	1588164780	BEARING, BALL	1	
140	1624164060	FRAME, END	1	
150	1624164230	COVER, END	1	
160	1624164850	ASSEMBLY RECTIFIER	1	
170	1624164900	BUSH, INSULATION	1	
180	1588164310	HOLDER, BRUSH	1	
190	1588164090	BRUSH	2	
200	1588164330	SPRING, BRUSH	2	
210	1588193020	SCREW, ROUND HEAD	2	
220	1588193030	SCREW, ROUND HEAD	6	
230	1588193040	SCREW, ROUND HEAD	1	
240	1588191040	BOLT	3	
250	1588192020	NUT	2	
260	1588191050	BOLT	2	
270	1418292030	NUT	1	
280	1588164600	ASSEMBLY REGULATOR	1	

# KUBOTA V-1505 — STARTER ASSY.

STARTER ASSY.



# KUBOTA V-1505 — STARTER ASSY.

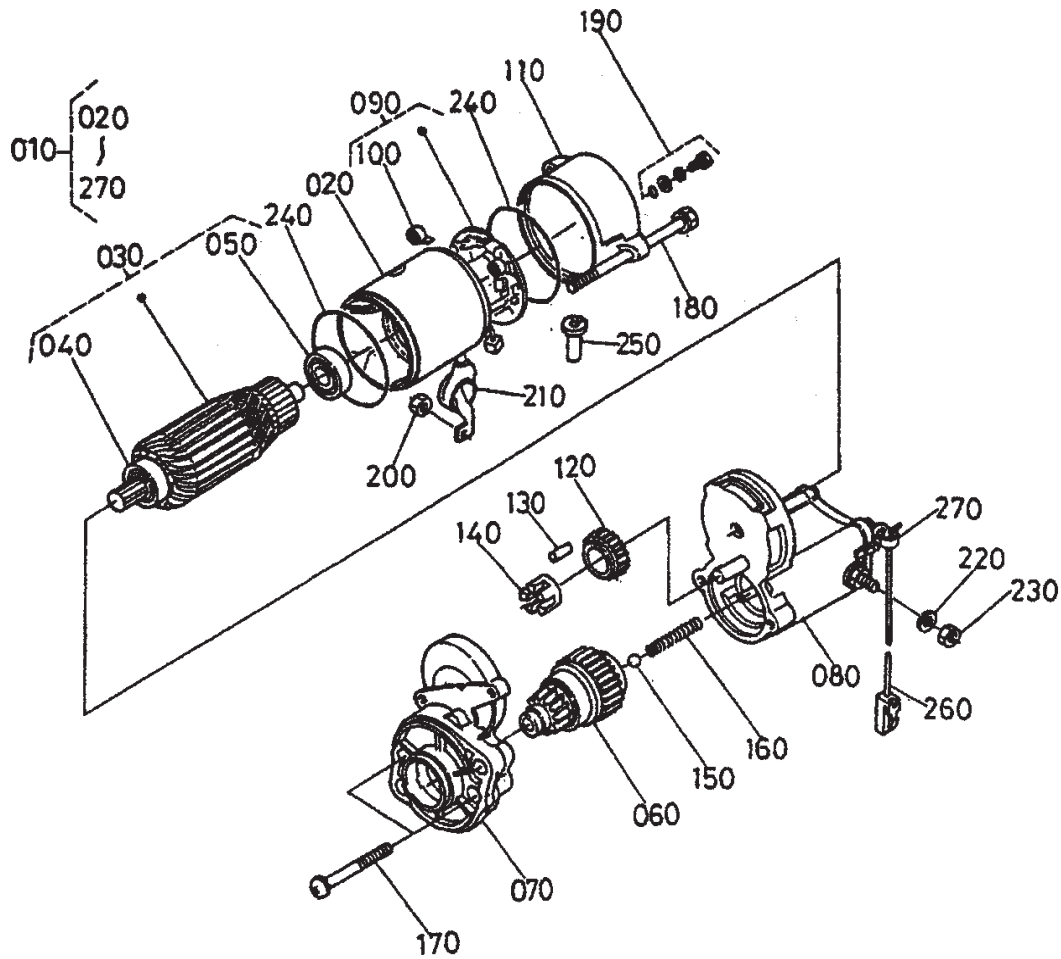
STARTER ASSY.

<u>NO.</u>	<u>PART NO.</u>	<u>PART NAME</u>	<u>QTY.</u>	<u>REMARKS</u>
010	2756063010	ASSEMBLY STARTER	1	
020	0112350830	BOLT	2	



# KUBOTA V-1505 — STARTER (COMPONENT PARTS) ASSY.

STARTER (COMPONENT PARTS) ASSY.



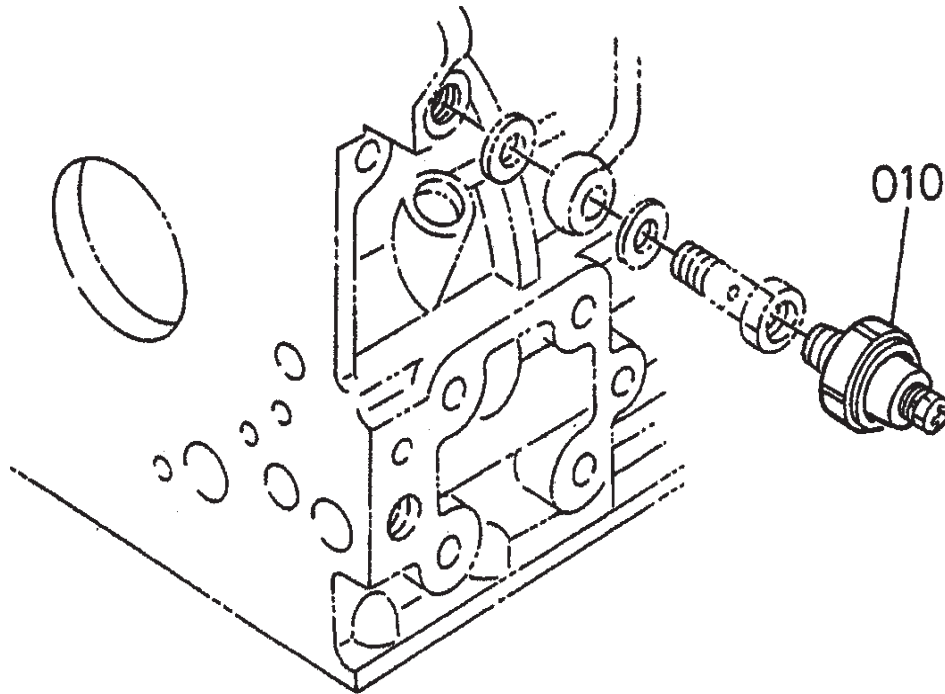
## KUBOTA V-1505 — STARTER (COMPONENT PARTS) ASSY.

### STARTER (COMPONENT PARTS) ASSY.

<u>NO.</u>	<u>PART NO.</u>	<u>PART NAME</u>	<u>QTY.</u>	<u>REMARKS</u>
010	2756063010	ASSEMBLY STARTER	1	
020	3756063080	ASSEMBLY YOKE	1	
030	1146063070	ARMATURE	1	
040	1146063500	BEARING	1	
050	1146063530	BEARING	1	
060	1628563040	ASSEMBLY CLUTCH	1	
070	1628563030	ASSEMBLY HOUSING	1	
080	1661163020	ASSEMBLY SWITCH, MAGNETIC	1	
090	1147063380	ASSEMBLY HOLDER, BRUSH	1	
100	1146063390	SPRING, BRUSH	4	
110	1628563200	ASSEMBLY FRAME, END	1	
120	1146063270	GEAR	1	
130	1921263100	ROLLER	5	
140	1146063110	RETAINER	1	
150	1921297130	BALL	1	
160	1146063120	SPRING	1	
170	1146093310	BOLT	2	
180	1146063320	BOLT, THROUGH	2	
190	1551163760	ASSEMBLY BOLT	2	
200	1628592010	NUT, HEXAGON	1	
210	1661163450	COVER	1	
220	1380194100	WASHER, SPRING	1	
230	1661192020	NUT, HEXAGON	1	
240	1551196660	O RING	2	
250	1628563570	PIPE, DRAIN	1	
260	1661163660	CORD, STOP SOLENOID	1	
270	1661263100	BAND, COVER	1	

# KUBOTA V-1505 — OIL SWITCH/THERMO AND PLUG ASSY.

OIL SWITCH/THERMOMETER AND PLUG ASSY.



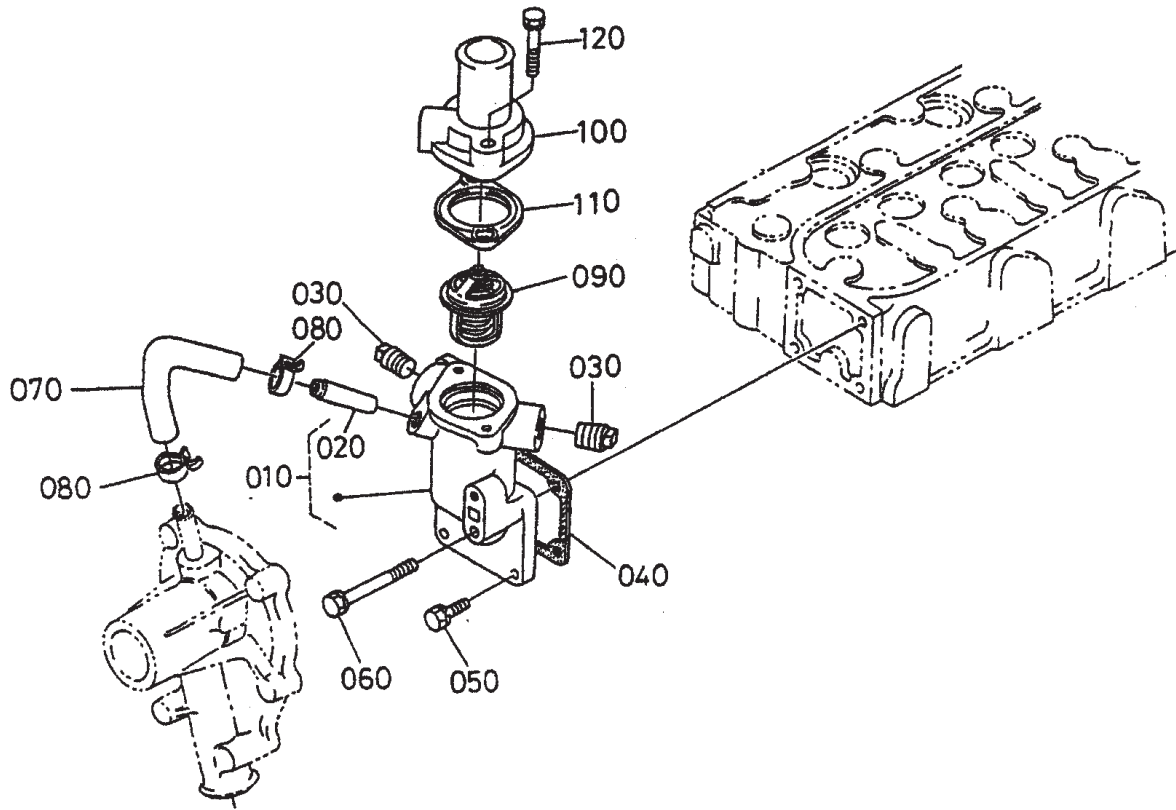
# KUBOTA V-1505 — OIL SWITCH/THERMO AND PLUG ASSY.

OIL SWITCH/THERMOMETER AND PLUG ASSY.

<u>NO.</u>	<u>PART NO.</u>	<u>PART NAME</u>	<u>QTY.</u>	<u>REMARKS</u>
010	1584139010	SWITCH, OIL	1	

# KUBOTA V-1505 — WATERFLANG AND THERMOSTAT ASSY.

WATER FLANGE AND THERMOSTAT ASSY.



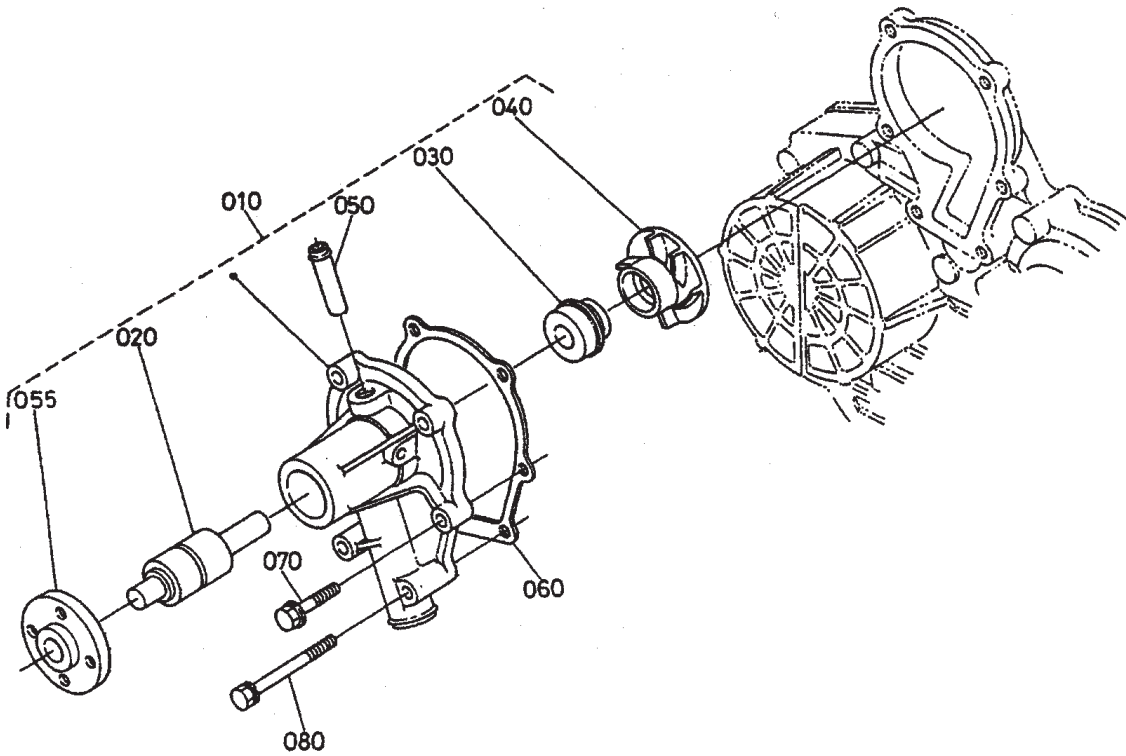
## KUBOTA V-1505 — WATERFLANG AND THERMOSTAT ASSY.

### WATER FLANGE AND THERMOSTAT ASSY.

<u>NO.</u>	<u>PART NO.</u>	<u>PART NAME</u>	<u>QTY.</u>	<u>REMARKS</u>
010	1661372700	COMP. FLANGE, WATER	1	
020	1624173370	PIPE, WATER RETURN	1	
030	1929896020	PLUG	2	
040	1626472920	GASKET, WATER FLANGE	1	
050	0102350616	BOLT	3	
060	0102350655	BOLT	1	
070	1624173350	PIPE, WATER RETURN	1	
080	1624173360	BAND, PIPE	2	
090	1943473010	ASSEMBLY THERMOSTAT	1	
100	1621973260	COVER, THERMOSTAT	1	
110	1531373270	GASKET, THERMOSTAT	1	
120	0112350835	BOLT	2	

# KUBOTA V-1505 — WATER PUMP ASSY.

WATER PUMP ASSY.



# KUBOTA V-1505 — WATER PUMP ASSY.

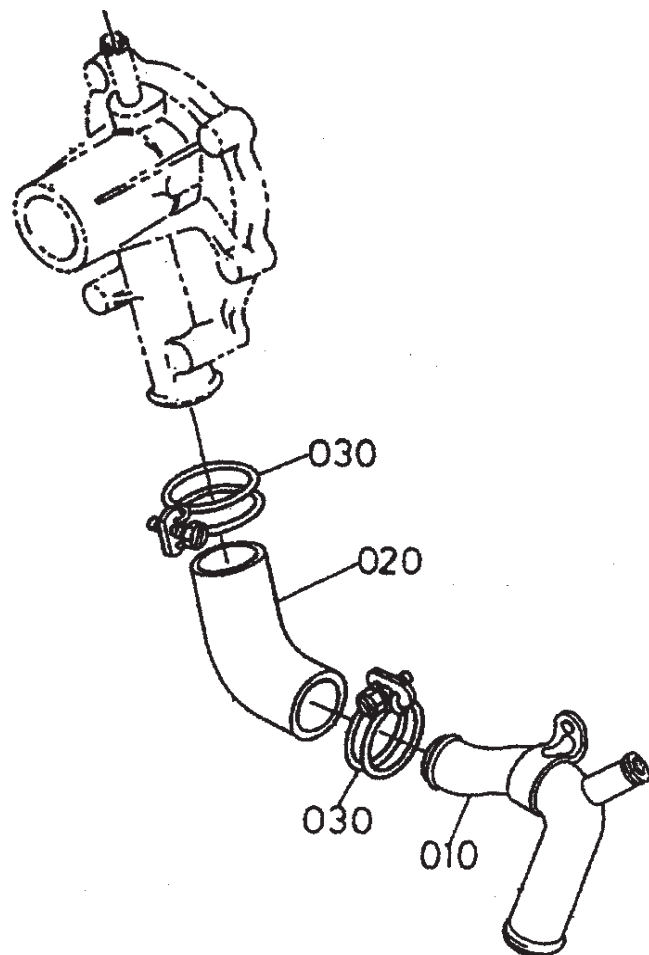
## WATER PUMP ASSY.

<u>NO.</u>	<u>PART NO.</u>	<u>PART NAME</u>	<u>QTY.</u>	<u>REMARKS</u>
010	1624173032	ASSEMBLY PUMP, WATER	1	
020	1624173550	BEARING	1	
030	1624173052	ASSEMBLY SEAL, MECHANICAL	1	
040	1624173510	IMPELLER, WATER PUMP	1	
050	1624173340	PIPE, WATER RETURN	1	
055	1624173520	FLANGE, WATER PUMP	1	
060	1626173430	GASKET, WATER PUMP	1	
070	0175450625	BOLT, FLANGE	4	
080	0102350680	BOLT	2	



# KUBOTA V-1505 — WATER PIPE ASSY.

WATER PIPE ASSY.

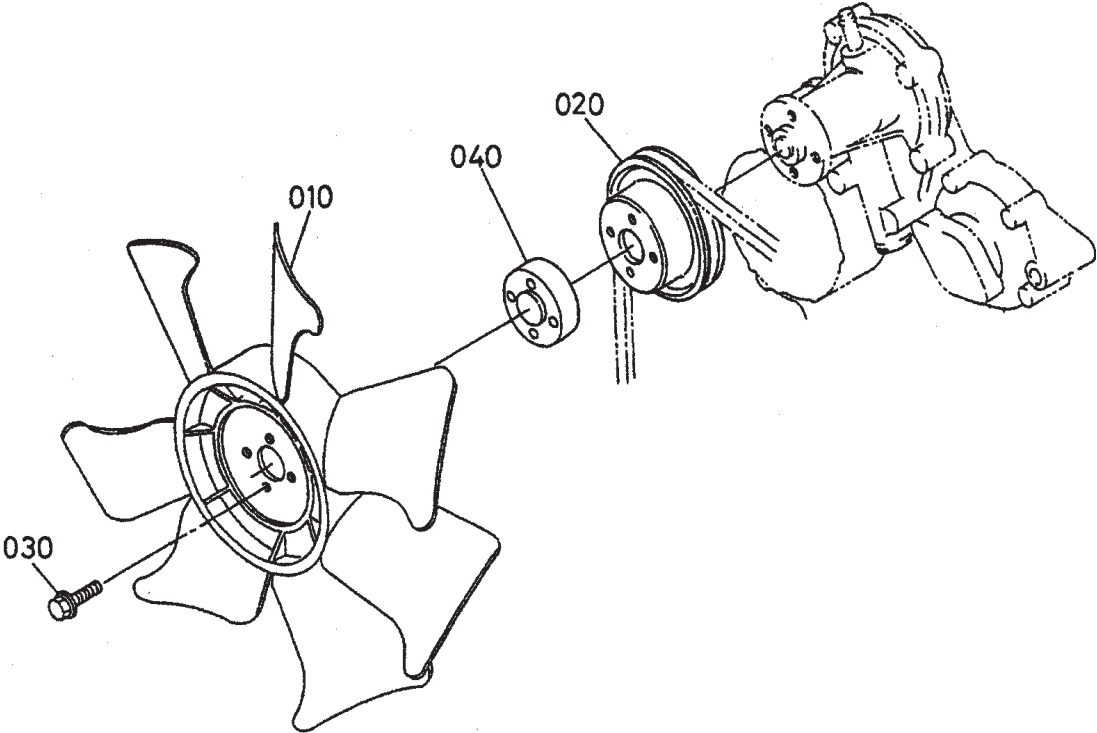


## KUBOTA V-1505 — WATER PIPE ASSY.

WATER PIPE ASSY.

<u>NO.</u>	<u>PART NO.</u>	<u>PART NAME</u>	<u>QTY.</u>	<u>REMARKS</u>
010	1624172860	PIPE, WATER	1	
020	1624172870	PIPE, WATER	1	
030	3620082720	CLAMP	2	

FAN ASSY.



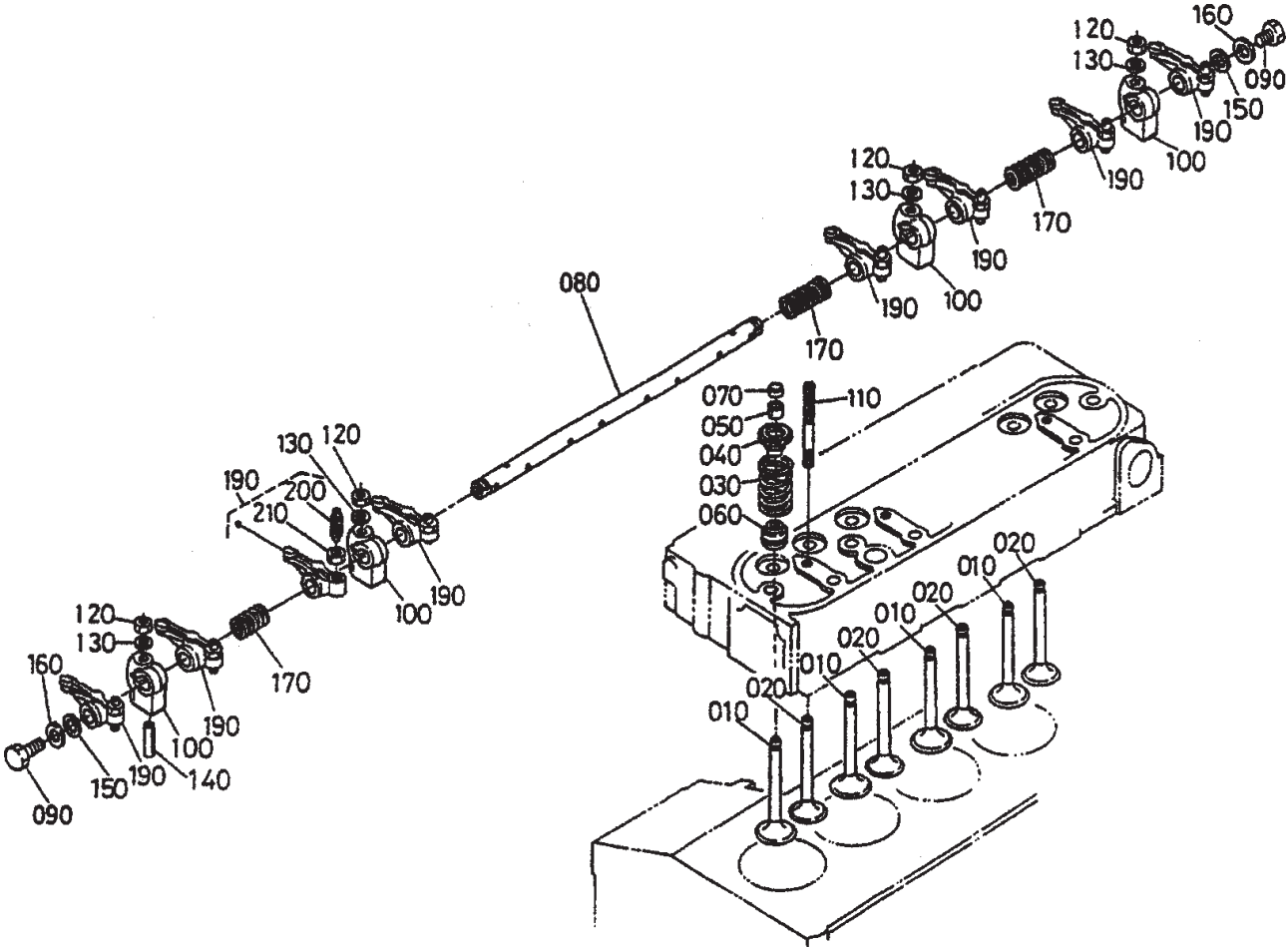
# KUBOTA V-1505 — FAN ASSY.

FAN ASSY.

<u>NO.</u>	<u>PART NO.</u>	<u>PART NAME</u>	<u>QTY.</u>	<u>REMARKS</u>
010	1629274110	FAN	1	
020	1624174250	PULLEY, FAN	1	
030	0175450820	BOLT, FLANGE	4	
040	1587674150	COLLAR, FAN	1	

# KUBOTA V-1505 — VALVE AND ROCKER ARM ASSY.

VALVE AND ROCKER ARM ASSY.



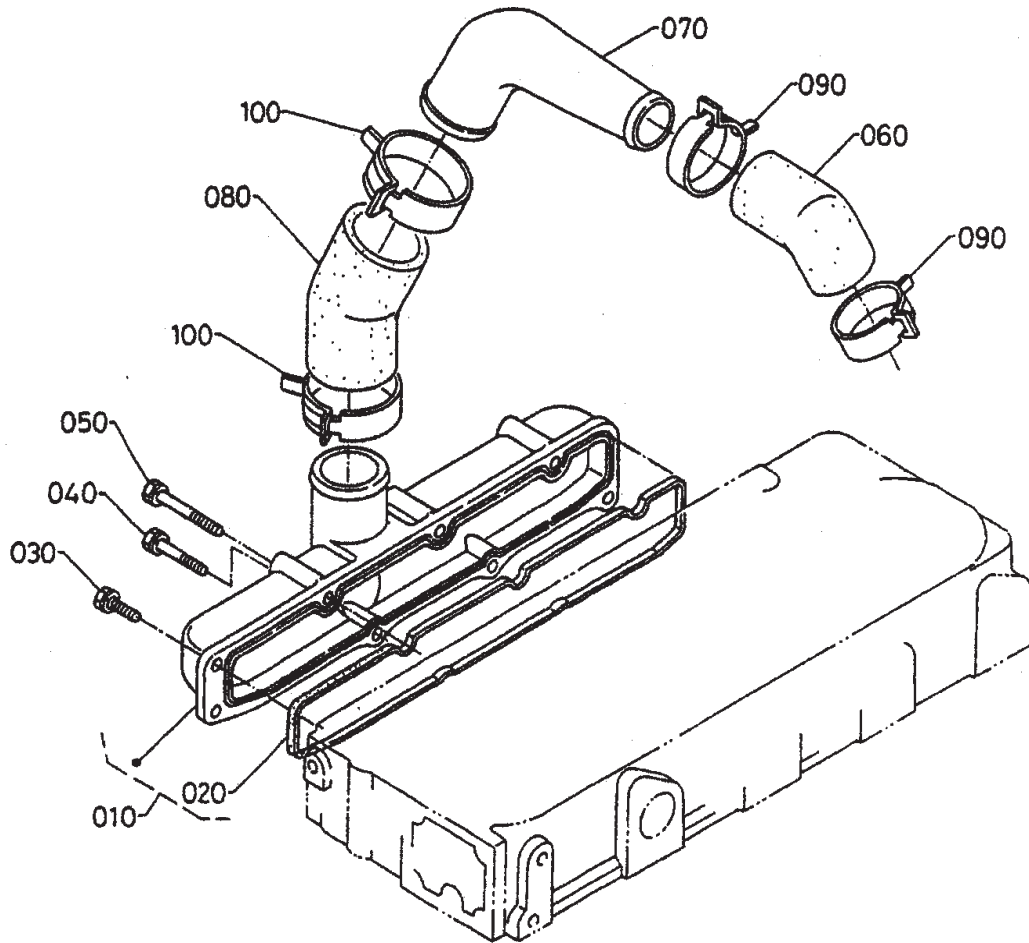
# KUBOTA V-1505 — VALVE AND ROCKER ARM ASSY.

## VALVE AND ROCKER ARM ASSY.

<u>NO.</u>	<u>PART NO.</u>	<u>PART NAME</u>	<u>QTY.</u>	<u>REMARKS</u>
010	1624113110	VALVE, INLET	4	
020	1629913120	VALVE, EXHAUST	4	
030	1526113240	SPRING, VALVE	8	
040	1624113330	RETAINER, VALVE SP.	8	
050	1526113360	COLLET, VALVE SPRING .....	8 .....	SET
060	1001013150	SEAL, VALVE STEM	8	
070	1624113280	CAP, VALVE	8	
080	1624114264	SHAFT, ROCKER ARM	1	
090	0102350610	BOLT	2	
100	1624114350	BRACKET, ROCKER ARM	4	
110	1624114410	STUD	4	
120	1526192010	NUT	4	
130	1526194010	WASHER, PLAIN	4	
140	0541100428	PIN, SPRING	1	
150	1624114430	WASHER, R- ARM, SHAFT	2	
160	1584194022	WASHER, PLAIN	2	
170	1624114310	SPRING, ROCKER ARM	3	
190	1624114032	ASSEMBLY ROCKER ARM	8	
200	1624114230	SCREW, ADJUSTING	8	
210	1624114240	NUT	8	

# KUBOTA V-1505 — INLET MANIFOLD ASSY.

INLET MANIFOLD ASSY.



# KUBOTA V-1505 — INLET MANIFOLD ASSY.

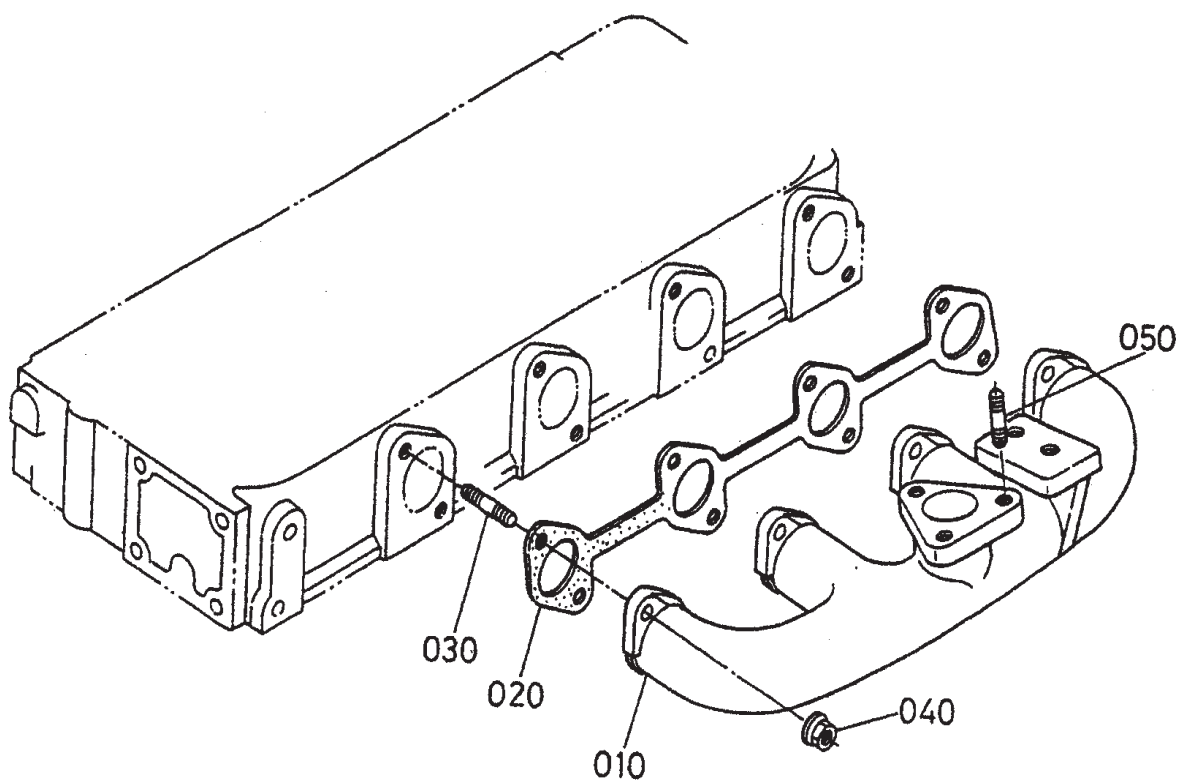
## INLET MANIFOLD ASSY.

<u>NO.</u>	<u>PART NO.</u>	<u>PART NAME</u>	<u>QTY.</u>	<u>REMARKS</u>
010	1624111770	ASSEMBLY MANIFOLD, INLET	1	
020	1624111820	GASKET, IN- MANIFOLD	1	
030	0102350618	BOLT	3	
040	0102350630	BOLT	2	
050	0102360650	BOLT	3	
060	1624111630	PIPE, INLET	1	
070	1624111640	PIPE, INLET	1	
080	1624111670	PIPE, INLET	1	
090	1624172970	BAND, PIPE	2	
100	1624111720	BAND, PIPE	2	



# KUBOTA V-1505 — EXHAUST MANIFOLD ASSY.

EXHAUST MANIFOLD ASSY.



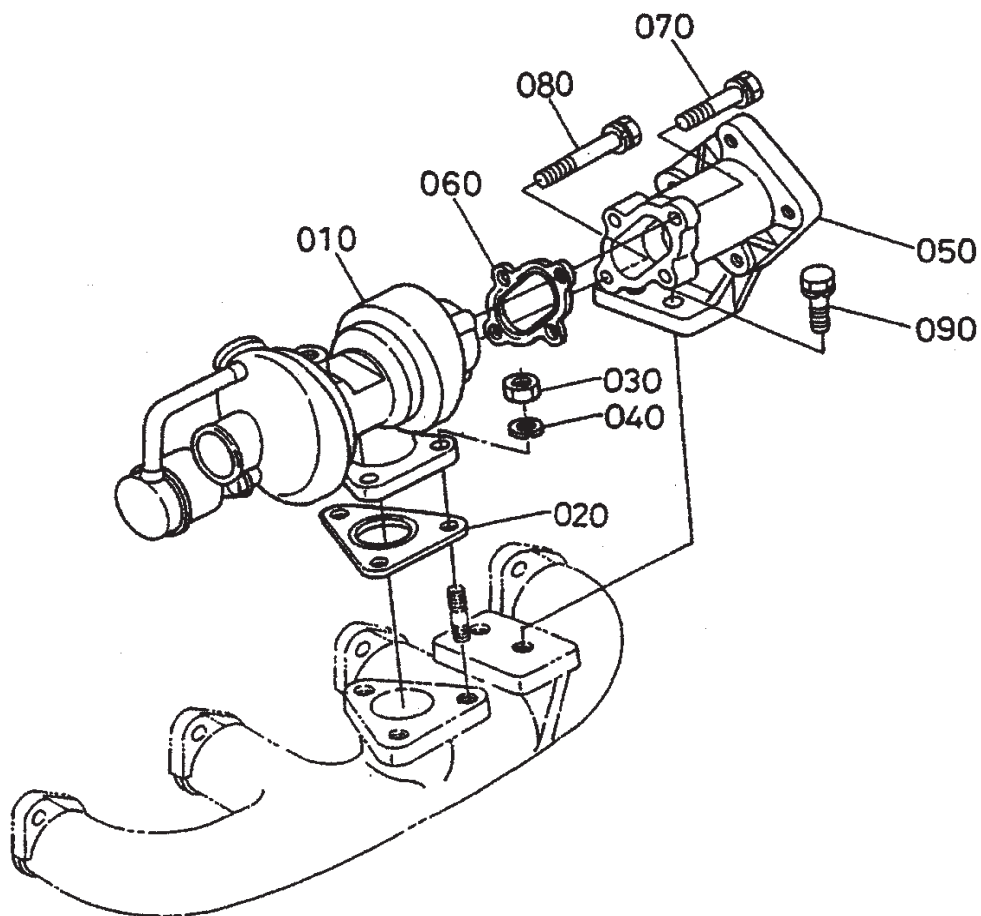
# KUBOTA V-1505 — EXHAUST MANIFOLD ASSY.

## EXHAUST MANIFOLD ASSY.

<u>NO.</u>	<u>PART NO.</u>	<u>PART NAME</u>	<u>QTY.</u>	<u>REMARKS</u>
010	1624112310	MANIFOLD, EXHAUST	1	
020	1629912360	GASKET, EX- MANIFOLD	1	
030	1624292490	STUD	8	
040	1627192010	NUT	8	
050	0151360820	STUD	3	

# KUBOTA V-1505 — TURBO CHARGER ASSY.

TURBO CHARGER ASSY.



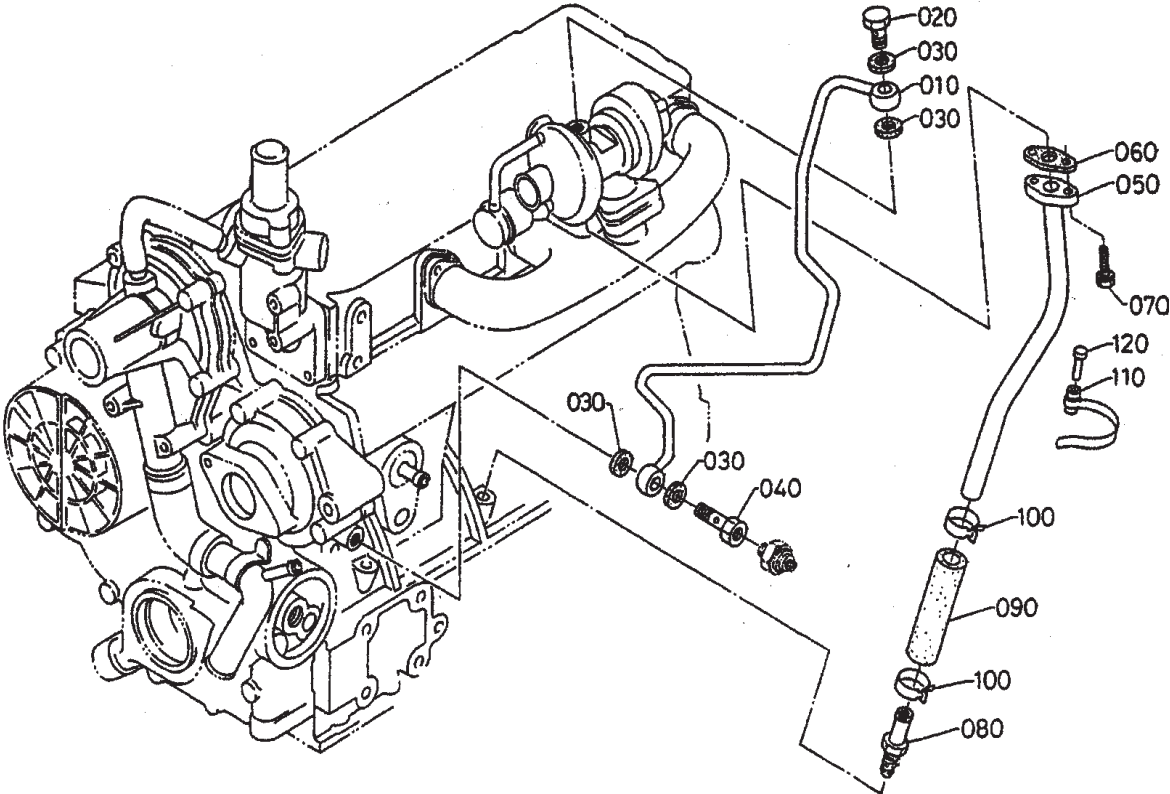
# KUBOTA V-1505 — TURBO CHARGER ASSY.

## TURBO CHARGER ASSY.

<u>NO.</u>	<u>PART NO.</u>	<u>PART NAME</u>	<u>QTY.</u>	<u>REMARKS</u>
010	1629217010	ASSEMBLY TURBO CHARGER	1	
020	1629917100	GASKET	1	
030	0215650080	NUT	3	
040	0451260080	WASHER, SPRING	3	
050	1755412320	FLANGE, MUFFLER	1	
060	1629917110	GASKET	1	
070	0112350830	BOLT	3	
080	0112350845	BOLT	1	
090	0112350822	BOLT	2	

# KUBOTA V-1505 — OIL PIPE (TURBO CHARGER) ASSY.

OIL PIPE (TURBO CHARGER) ASSY.



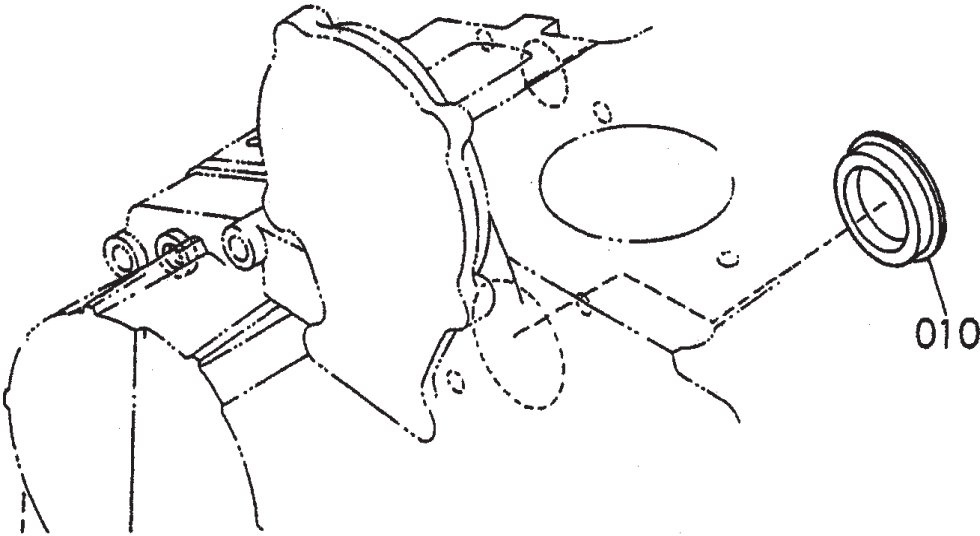
## KUBOTA V-1505 — OIL PIPE (TURBO CHARGER) ASSY.

### OIL PIPE (TURBO CHARGER) ASSY.

<u>NO.</u>	<u>PART NO.</u>	<u>PART NAME</u>	<u>QTY.</u>	<u>REMARKS</u>
010	1624133210	COMP. PIPE, OIL	1	
020	1624195800	BOLT, EYE JOINT	1	
030	1547196650	GASKET	4	
040	1624133360	BOLT, EYE JOINT	1	
050	1624133220	COMP. PIPE, OIL	1	
060	1629933670	GASKET	1	
070	0102350620	BOLT	3	
080	1624133232	COMP. PIPE, OIL	1	
090	1624133240	PIPE, OIL	1	
100	0931888200	CLAMP, HOSE	2	
110	1544133520	CLAMP, PIPE	1	
120	3343082760	PIN, BAND	1	

**KUBOTA V-1505 — HYDRAULIC PUMP ASSY.**

HYDRAULIC PUMP ASSY.



# KUBOTA V-1505 — HYDRAULIC PUMP ASSY.

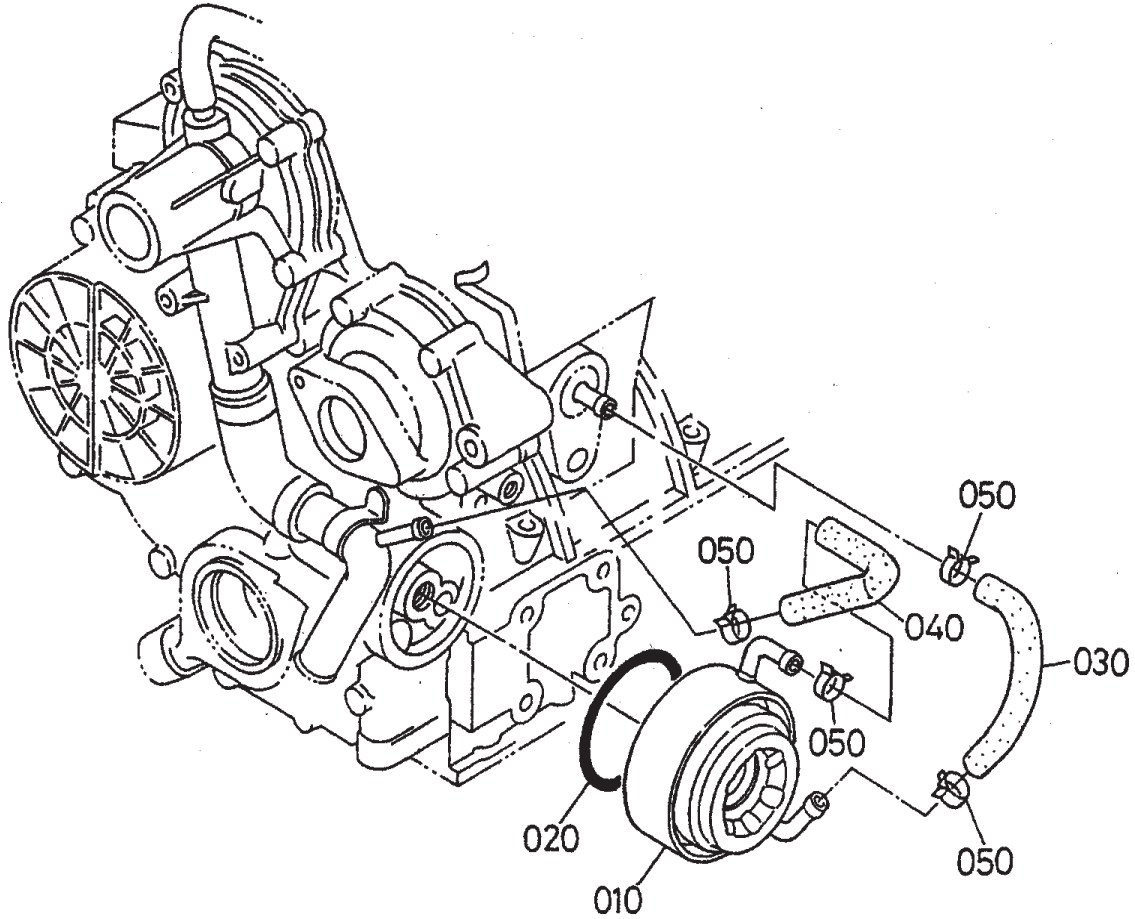
HYDRAULIC PUMP ASSY.

<u>NO.</u>	<u>PART NO.</u>	<u>PART NAME</u>	<u>QTY.</u>	<u>REMARKS</u>
010	1626483152	COVER, HYDRAULIC PUMP	1	



# KUBOTA V-1505 — OIL COOLER ASSY.

OIL COOLER ASSY.



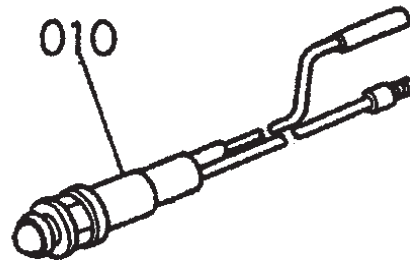
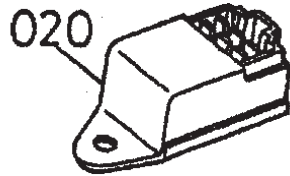
## KUBOTA V-1505 — OIL COOLER ASSY.

### OIL COOLER ASSY.

<u>NO.</u>	<u>PART NO.</u>	<u>PART NAME</u>	<u>QTY.</u>	<u>REMARKS</u>
010	1629937010	ASSEMBLY COOLER, OIL	1	
020	0481450600	O RING	1	
030	1624137150	PIPE COOLER, OIL	1	
040	1624173350	PIPE, WATER RETURN	1	
050	1624173360	BAND, PIPE	4	

# KUBOTA V-1505 — GLOW PLUG/LAMP AND TIMER ASSY.

GLOW PLUG/LAMP AND TIMER ASSY.



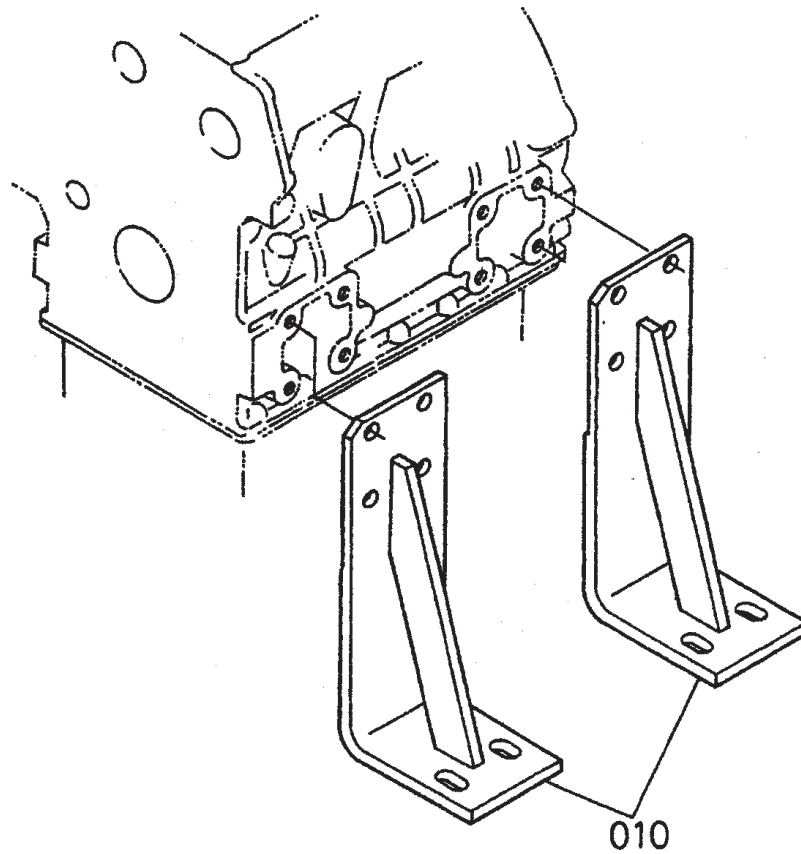
## KUBOTA V-1505 — GLOW PLUG/LAMP AND TIMER ASSY.

GLOW PLUG/LAMP AND TIMER ASSY.

<u>NO.</u>	<u>PART NO.</u>	<u>PART NAME</u>	<u>QTY.</u>	<u>REMARKS</u>
010	1540364490	LAMP, INDICATOR	1	
020	1569465990	TIMER, GLOW LAMP	1	

# KUBOTA V-1505 — ENGINE STAND ASSY.

ENGINE STAND ASSY.



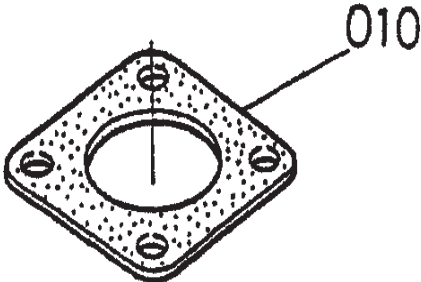
# KUBOTA V-1505 — ENGINE STAND ASSY.

ENGINE STAND ASSY.

<u>NO.</u>	<u>PART NO.</u>	<u>PART NAME</u>	<u>QTY.</u>	<u>REMARKS</u>
010	1661606110	STAND, ENGINE	4	

**KUBOTA V-1505 — ACCESSORY AND SERVICE PARTS ASSY.**

ACCESSORIES AND SERVICE PARTS ASSY.



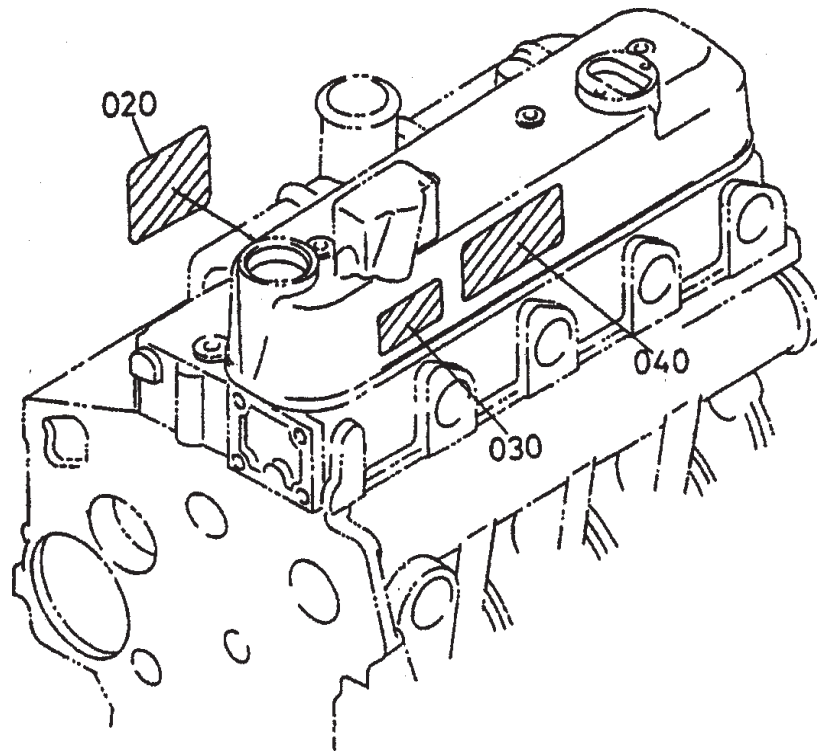
# KUBOTA V-1505 — ACCESSORY AND SERVICE PARTS ASSY.

ACCESSORIES AND SERVICE PARTS ASSY.

<u>NO.</u>	<u>PART NO.</u>	<u>PART NAME</u>	<u>QTY.</u>	<u>REMARKS</u>
010	1526312370	GASKET, MUFFLER NA	1	



LABEL AND OPERATOR'S MANUAL ASSY.



LABEL AND OPERATOR'S MANUAL ASSY.

<b><u>NO.</u></b>	<b><u>PART NO.</u></b>	<b><u>PART NAME</u></b>	<b><u>QTY.</u></b>	<b><u>REMARKS</u></b>
020	1629287112	NAME PLATE, ENGINE	1	
030	1942687903	LABEL	1	
040	1942687880	LABEL, INSTRUCTION	1	