

Spare parts orders can be sent by fax, by photocopying the attached form, via e-mail or ordinary mail.



Fax **0039.011.8005506**



E-Mail **delfin@delfinvacuums.it**



Mail **Strada della Merla, 49/a**
10036 Settimo Torinese (TO) Italy

SPARE PARTS SECTION

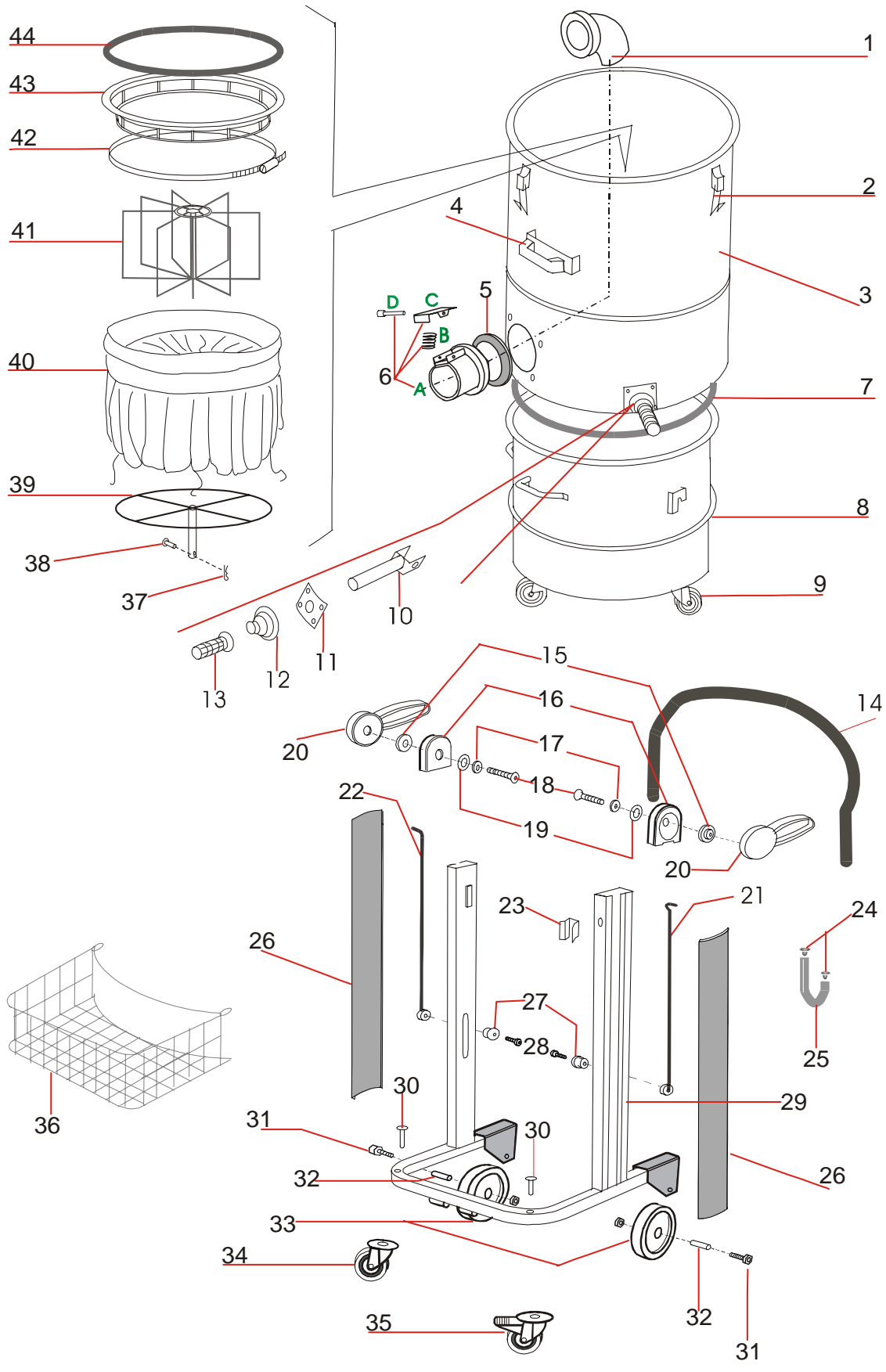
Recommended spare parts

DESCRIPTION	CODE
Container/chamber seal Ø 500	AR2059
Polyester filter 14T. Ø 500 H=400 cat "G"	AR3024
Filter holder seal Ø 500	AR2013
Filter clamp Ø 500	AR2018
Suction motor 1150 W	AA1120
Single-phase soundproof cover	AR2030
Motor retention soundproofing 2 holes	AR2032
Motor retention soundproofing 3 holes	AR2042
Base soundproofing 2 holes	AR 2034
Base soundproofing 3 holes	AR2044

01 - Machine body mod. D/M 35 SGA • D/M 40 SGA

REF.	CODE	QTY	DESCRIPTION
1	AR2415	1	Die-cast deflector
2	AR2002	3	Snap fastening
3	AR2058	1	Filter chamber H=650
4	AR2001	1	Handle L=140
5	AR2003	1	Union seal Ø 80
6(a)	AR2413	1	Die-cast union Ø 80
6(b)	AR2417	1	Die-cast union spring
6(c)	AR2418	1	Die-cast union pawl
6(d)	AR2416	1	Die-cast union pawl pin
7	AR2059	1	Container chamber seal Ø500
8	AR2060	1	Container 50Lt.
9	AR2062	4	Castor Ø 60
10	AR2129	1	Filter shaker lever
11	AR2065	1	Filter shaker flange
12	AR2066	1	Bellows
13	AR2008	1	Filter shaker knob
14	AR3923	1	Push handle ZFR50-D/M35
15	AR 3509	2	Metallic lever mechanism rotation fulcrum
16	AR 3508	2	Metallic aluminium body
17	AR 3507	2	Metallic rotation closing washer
18	AR 3506	2	8x35 socket countersunk screw for rotation fulcrum
19	AR 3505	2	Ø20x30 nylon spacer thick.1mm.
20	AR 3510	2	Metallic container fastening lever
21	AR 3503	1	RH metallic lifting/release rod
22	AR 3504	1	LH metallic lifting/release rod
23	AR3165	1	Chromed curve spring
24	AR3115	2	Cable hanger head cover
25	AR3452	1	2-hole cable hanger hook
26	AR3499	2	PLT profile metallic columns
27	AR2363	2	Fastening lever fulcrum
28	AR 3513	2	8x25 socket cap screw for slidr pawl
29	AR3921	1	Metallic trolley frame
30	AR3922	2	Square under-head screw for metallic trolley castors
31	AR3497	2	Hexagon-head screw part. thread. for castor Ø145 trolley Metallic
32	AR3451	2	Wheel axles Ø15 L=42
33	AR3496	2	Fixed wheels Ø145 CELA Metallic
34	AR2005	1	Castor Ø 80 grey QLD Metallic
35	AR2006	1	Castor Ø 80 with/brake grey QLD Metallic
36	AR3878	1	Accessory basket D/M35-ZFR50 n.t.
37	AR2480	1	Zig-zag spring
38	AR2481	1	Filter-shaker cage lock pin
39	AR2457	1	Filter shaker cage
40	AR3024	1	Filter 14 pocket
41	AR2456	1	14-spoke filter tightener cage
42	AR2018	1	Filter clamp
43	AR2580	1	Filter holder ring Ø500 H70
44	AR2013	1	“U” shaped filter-holder seal

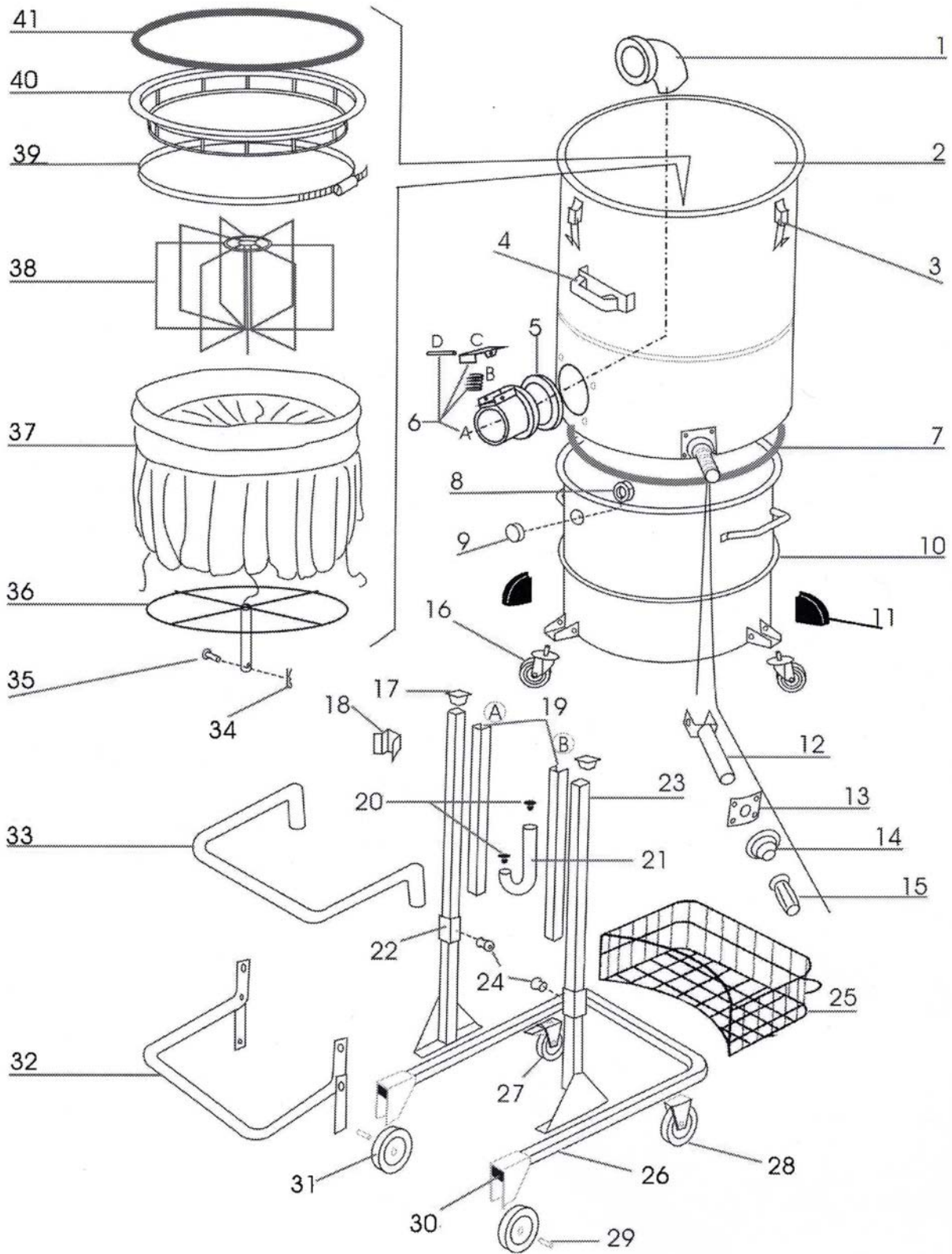
01 - Machine body mod. D/M 35 SGA • D/M 40 SGA



02 - Machine body mod. D/M 3

REF.	CODE	QTY	DESCRIPTION
1	AR2415	01	Die-cast deflector
2	AR2058	01	Filter chamber H=650
3	AR2002	03	Snap fastening
4	AR2001	01	Handle L=140
5	AR2414	01	Die-cast union seal Ø 80
6(a)	AR2413	01	Die-cast union Ø 80
6(b)	AR2417	01	Die-cast union spring
6(c)	AR2418	01	Die-cast union pawl
6(d)	AR2416	01	Die-cast union pin
7	AR2059	01	Container/chamber seal Ø500
8	AR3114	01	Ring nut 40 x 1.5
9	AR2079	01	Level indicator
10	AR2131	01	Container 75L
11	AR3576	01	MTL wheel cover
12	AR2063	01	Filter shaker lever D/M 40 SGA
13	AR2065	01	Filter shaker flange
14	AR2066	01	Bellows
15	AR2008	01	Filter shaker knob
16	AR2062	04	Nylon castor Ø 60
17	AR2051	02	Square head cover 35x35
18	AR3165	01	Chromed curve spring
19a	AR2086	01	Profile for RH chamber
19b	AR2087	01	Profile for LH chamber
20	AR3115	02	Cable hanger head cover Ø 20
21	AR2085	01	Cable hanger hook
22	AR2178	02	Slider
23	AR2088	02	Column D/M 3
24	AR2363	02	Fastening lever fulcrum
25	AR2458	01	Accessory basket D/M 3
26	AR2133	01	Trolley D/M 3
27	AR3448	01	Castor Ø 150 with brake
28	AR3447	01	Castor Ø 150
29	AR3451	02	Wheel axle L=42
30	AR2134	02	Square head cover 40x40
31	AR2118	02	Wheel Ø 150
32	AR2084	01	Fastening lever
33	AR2132	01	Push handle
34	AR2480	01	Zig-zag spring mm. 3
35	AR2481	01	Filter shaker cage fastening pin
36	AR2457	01	Filter shaker cage
37	AR3024	01	Polyester filter H=400 Ø500 "G"
38	AR2456	01	14-spoke filter-tightener cage
39	AR2018	01	Filter clamp
40	AR2580	01	Filter-holder ring Ø500 H70
41	AR2013	01	U-shaped filter-holder seal Ø 500

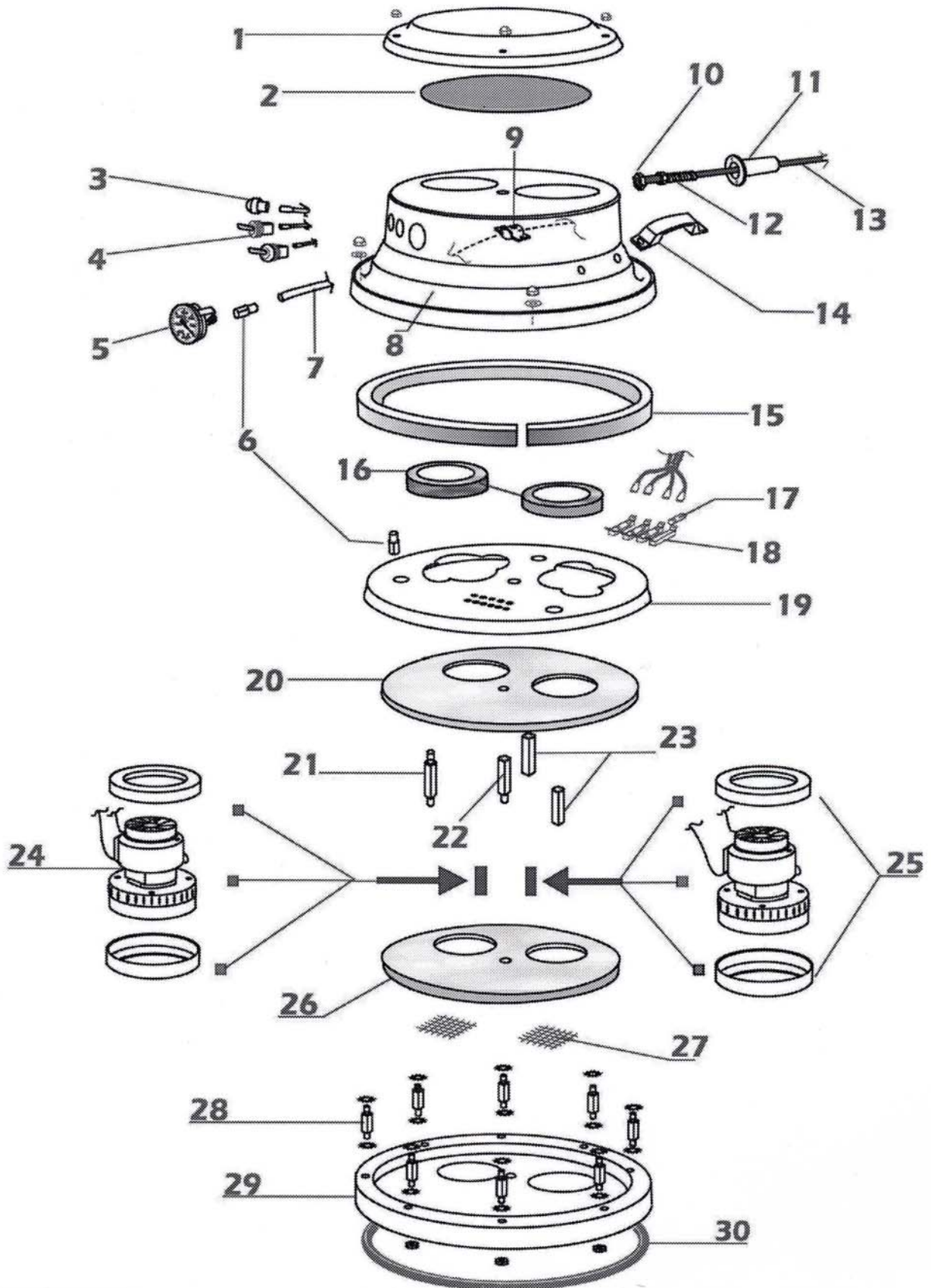
02 - Machine body mod. D/M 3



03 – Single-phase 2 motors head mod. D/M 35 SGA

REF.	CODE	QTY	DESCRIPTION
1	AR2020	1	Small cover
2	AR2021	1	Sound-dampening cover
3	AR2025	1	Power on green light indicator
4	AR2024	2	Single-phase motor switch
5	AR3524	1	Vacuum meter Ø 40 AIR-MTL
6	AR3314	1	Straight air pipe coupling
7	AR3530	1	Rilsan pipe Ø 6 L=100
8	AR3756	1	Single-phase motor cover 2 holes with new type vacuum meter
9	AR2027	1	Cable retainer
10	AR3758	1	Cable gland retention nut
11	AR3372	1	Fairlead bush for single-phase motor
12	AR2028	1	Spiral cable gland
13	AR2029	1	Power cable 3x2.5
14	AR2023	2	Bridge handle
15	AR2030	1	Single-phase motor sound-dampening cover with 2 holes
16	AR2038	2	Cooling ring
17	AR2496	4	10A fuses
18	AR2497	4	Fuse carrier with cover
19	AR375	1	New type 2-hole motor retainer
20	AR2032	1	2-hole motor sound-dampening retainer
21	AR3538	1	Spacer M/M L=79 M10-1/8" h. 17
22	AR3537	1	Central spacer M/F L=79 M6 h. 17 x absolute filter
23	AR3536	2	Spacer M F L=79 M6 h. 13 for base
24	AA1120	2	Vacuum motor 1150W
25	AR2037	4	Motor damper
26	AR2034	1	2-hole sound-dampening base
27	AR2098	2	Flange mesh
28	AR2120	8	Single-phase motor spacer
29	AR3761	1	New type 2-hole base
30	AR2035	1	Base seal 30x3

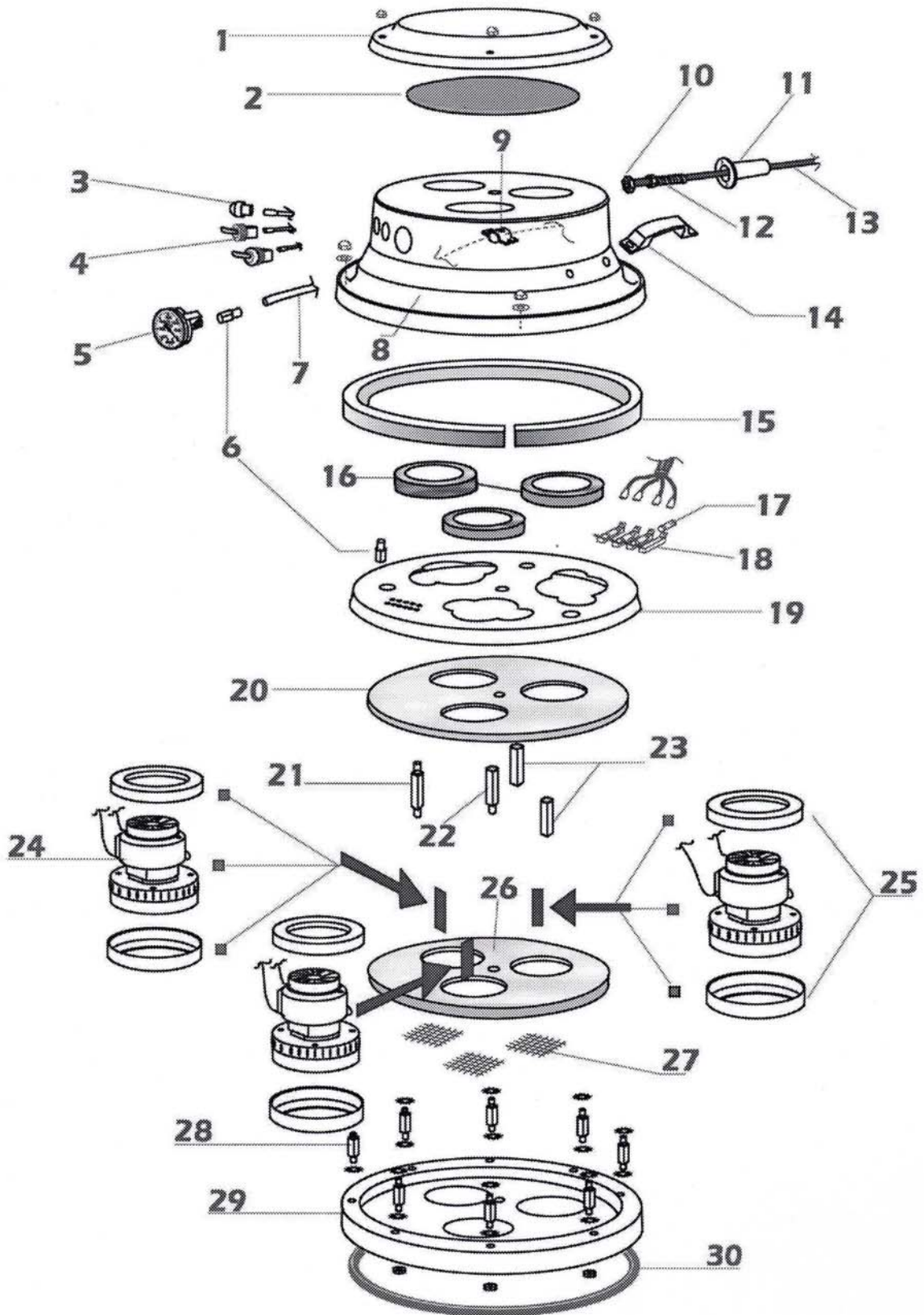
03 - Single-phase 2 motors head mod. D/M 35 SGA



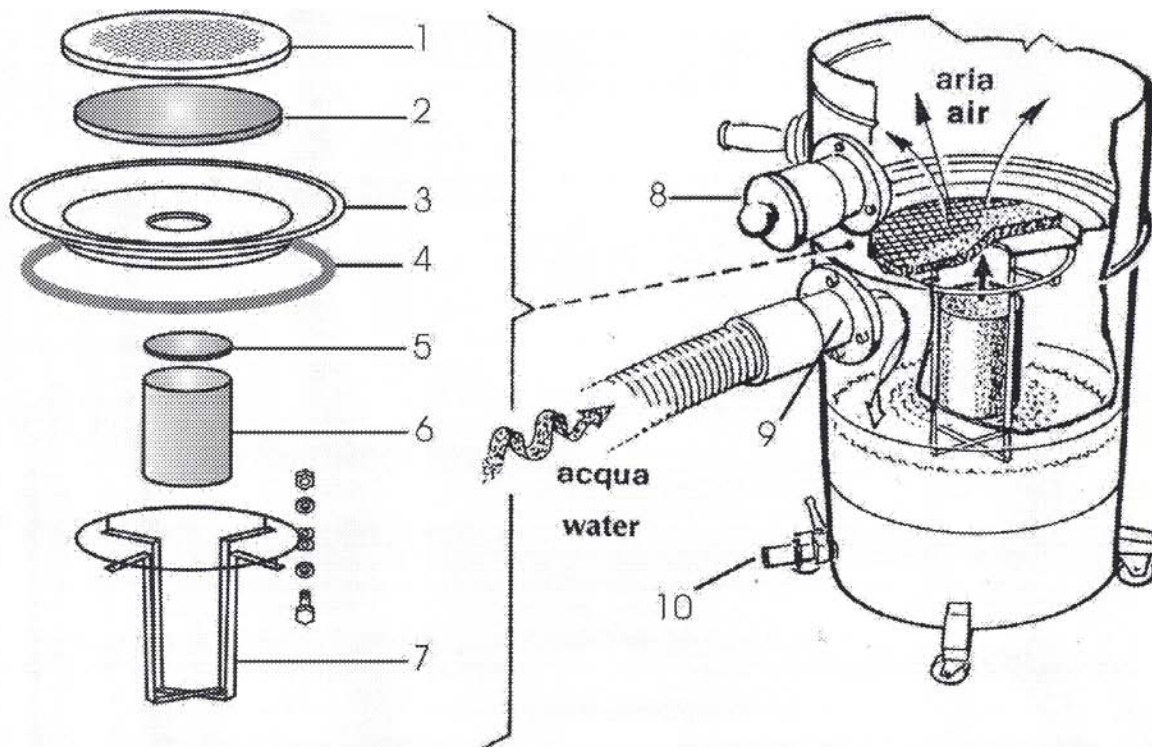
04 - Single-phase 3 motors head mod. D/M 40 SGA • D/M 3

REF.	CODE	QTY	DESCRIPTION
1	AR2020	1	Small cover
2	AR2021	1	Sound-dampening cover
3	AR2025	1	Power on green light indicator
4	AR2024	3	Single-phase motor switch
5	AR3524	1	Vacuum meter Ø 40 AIR-MTL
6	AR3314	1	Straight air pipe coupling
7	AR3530	1	Rilsan pipe Ø 6 L=100
8	AR3757	1	Single-phase motor cover 3 holes with new type vacuum meter
9	AR2027	1	Cable retainer
10	AR3758	1	Cable gland retention nut
11	AR3372	1	Bush x cable gland
12	AR2028	1	Spiral cable gland
13	AR2029	1	Power cable 3x2.5
14	AR2023	2	Bridge handle
15	AR2030	1	Single-phase motor sound-dampening cover 3 holes
16	AR2038	3	Cooling ring
17	AR2496	6	10A fuses
18	AR2497	6	Fuse carrier with cover
19	AR3760	1	New type 3-hole motor retainer
20	AR2042	1	3-hole motor sound-dampening retainer
21	AR3538	1	Spacer M/M L=79 M10-1/8" h. 17
22	AR3537	1	Central spacer M/F L=79 M6 h. 17 x absolute filter
23	AR3536	2	Spacer M F L=79 M6 h. 13 for base
24	AA1120	3	Vacuum motor 1150W
25	AR2037	6	Motor damper
26	AR2044	1	2-hole sound-dampening base
27	AR2098	3	Flange mesh
28	AR2120	8	Single-phase motor spacer
29	AR3762	1	New type 2-hole base
30	AR2035	1	Base seal 30x3

04 - Single-phase 3 motors head mod. D/M 40 SGA • D/M 3



05 – Float cod. AA 1096 for D/M3-100 litres



REF.	CODE	QTY	DESCRIPTION
1	AR2011	01	Fibre filter mesh
2	AR2012	01	Fibre filter
3	AR1321	01	Floating dust extractor Ø450
4	AR2069	01	Mousse seal 10x30
5	AR2553	01	Floating seal
6	AR2015	01	Floating
7	AR2384	01	Floating guide
8	AR3304	01	Float cap
9	AR 2412	01	Die-cast union kit
10	AR 2010	01	Complete exhaust valve